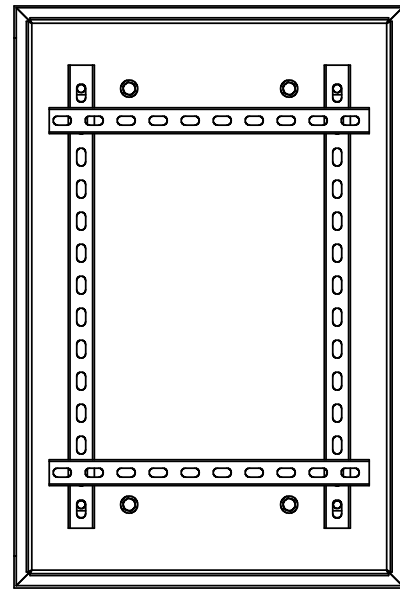


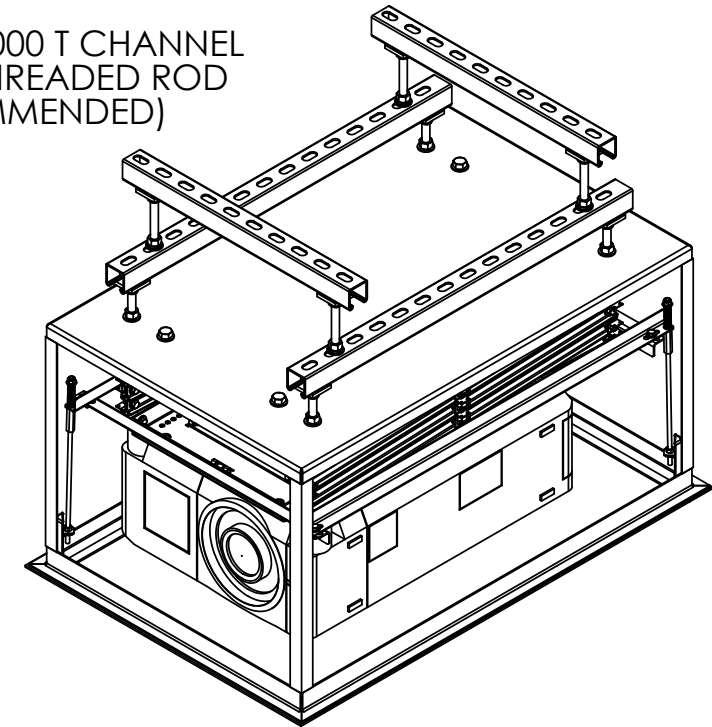
DRAWING REVISION BLOCK

REV	ER	DESCRIPTION	DRAWN	CHECKED	APPROVED	DATE



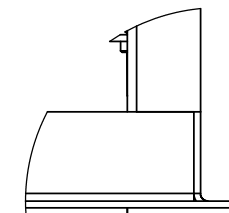
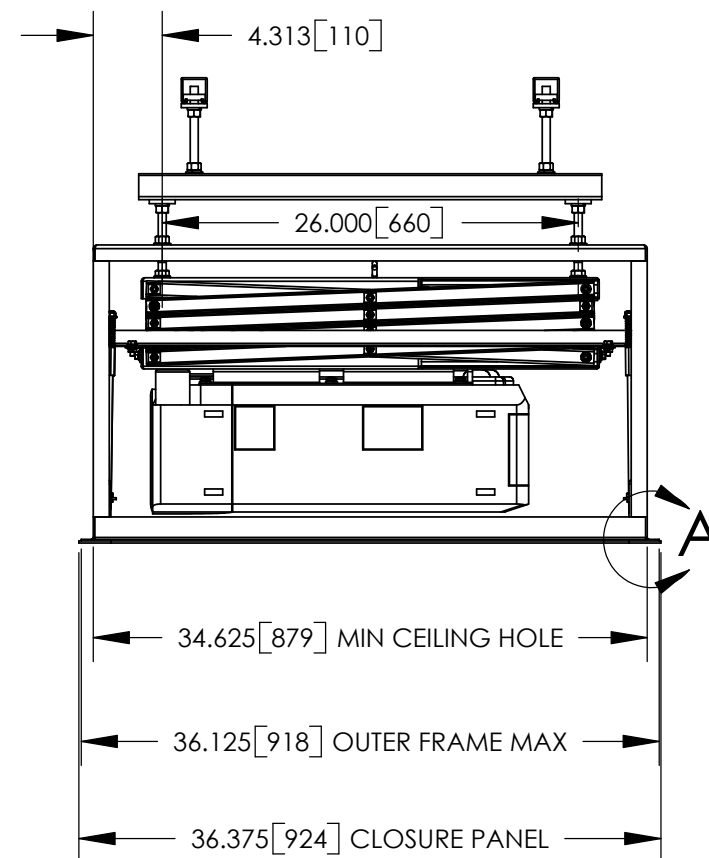
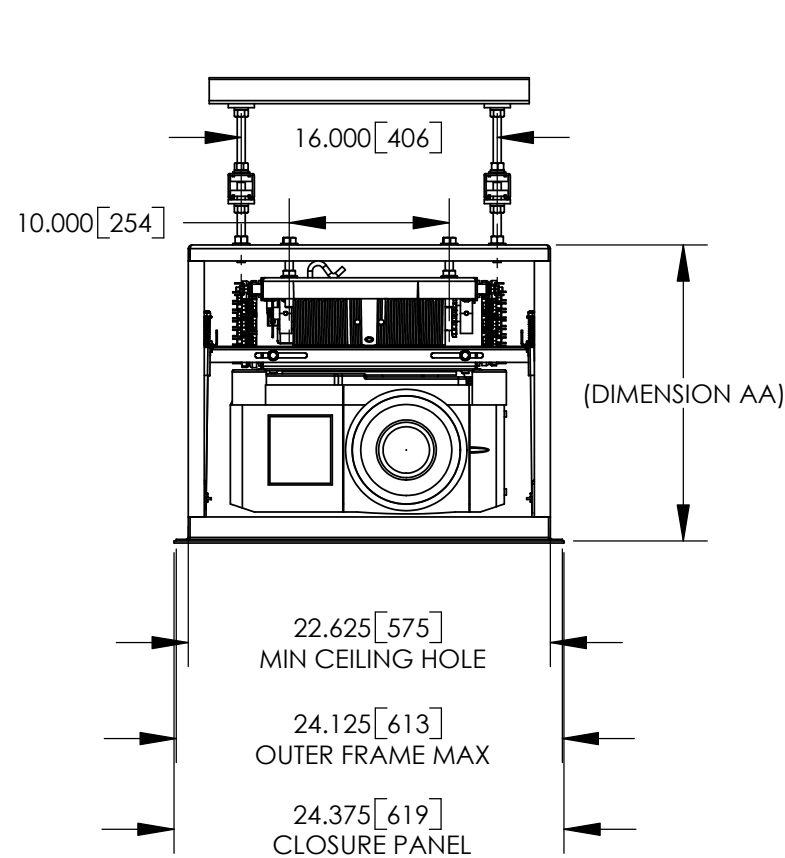
DL3B SIZE	DIMENSION AA	
	INCHES	mm
DL3B-7.5	18.500	470
DL3B-9.5	19.500	495
DL3B-11.0	20.500	521
DL3B-12.5	21.500	546
DL3B-14.0	22.500	572

UNISTRUT P1000 T CHANNEL AND 1/2" THREADED ROD (RECOMMENDED)



NOTES:

- \* UNITS = INCHES [mm]
- \* DIMENSION AA IS REQUIRED SPACE ABOVE CEILING.
- \* COMPONENTS SHOWN ARE THE CHRISTIE LX65 WITH MOUNT 73/127, DL3B-7.5, OPT4 AND OPT1.
- \* CTB ROD LENGTH IS 12.625".



DETAIL A  
SCALE 1 : 3

		<b>DISPLAY DEVICES, INC</b> 5880 SHERIDAN BLVD ARVADA, CO 80003				
		TITLE <b>DL3B - OPT4 STD - OPT1 LIPPED W/CHRISTIE LX65</b>				
THE INFORMATION CONTAINED IN THIS DRAWING IS THE PROPERTY OF DISPLAY DEVICES, INC. ANY REPRODUCTION IN PART OR WHOLE WITHOUT THE WRITTEN PERMISSION OF DISPLAY DEVICES, INC IS PROHIBITED	UNLESS OTHERWISE SPECIFIED DIMENSIONS ARE IN INCHES.  TOLERANCES: .XX = ± .02 .XXX = ± .010 .XXXX = ± .0050 ANGLE = ± 0.5	DRAWN RLS	DATE 11/4/2004	SIZE <b>B</b>	DRAWING NO. 315-058	REV A
MATERIAL NONE	FINISH NONE	SCALE NONE	FILE NAME 315-058.SLDDRW	SHEET 1 OF 2		