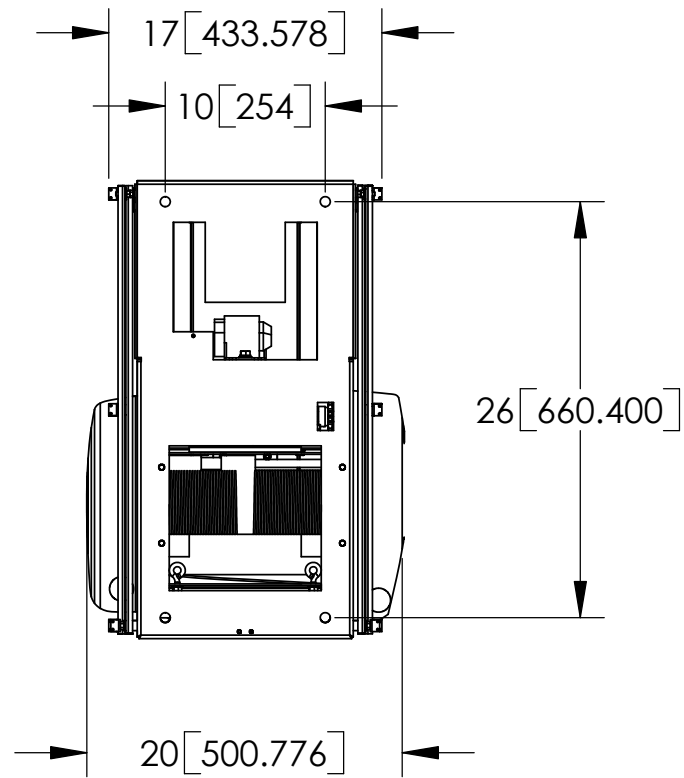


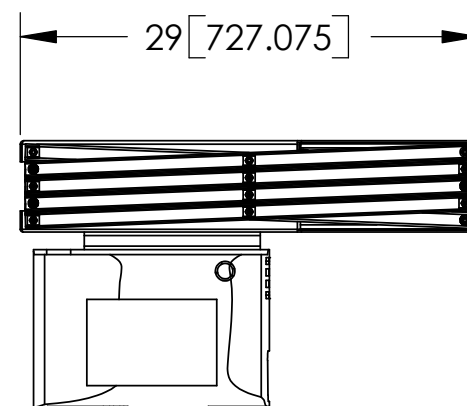
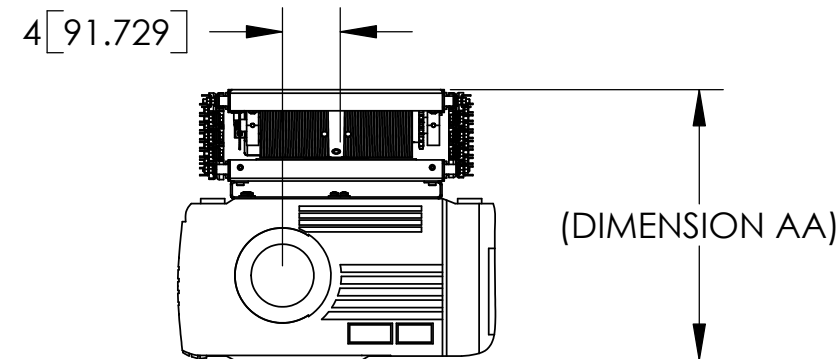
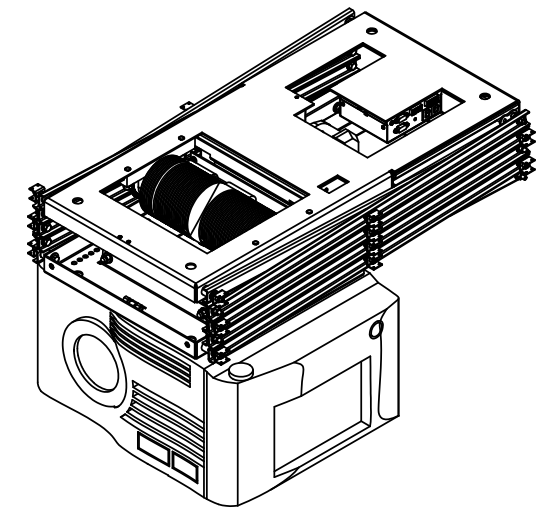
DRAWING REVISION BLOCK

| REV | ER | DESCRIPTION | DRAWN | CHECKED | APPROVED | DATE |
|-----|----|-------------|-------|---------|----------|------|
|     |    |             |       |         |          |      |



| DL3B SIZE | DIMENSION AA |     |
|-----------|--------------|-----|
|           | INCHES       | mm  |
| DL3B-7.5  | 17.000       | 432 |
| DL3B-9.5  | 18.000       | 457 |
| DL3B-11.0 | 19.000       | 483 |
| DL3B-12.5 | 20.000       | 508 |
| DL3B-14.0 | 21.000       | 533 |

NOTES:  
 \* UNITS = INCHES [mm]  
 \* COMPONENTS SHOWN ARE THE CHRISTIE DS+60 WITH MOUNT 73-329, DL3B-7.5.



|   |   |   |                             |                  |                  |
|---|---|---|-----------------------------|------------------|------------------|
|   |   | <b>DISPLAY DEVICES, INC</b><br>5880 SHERIDAN BLVD<br>ARVADA, CO 80003 |                             |                  |                  |
|   |   | TITLE<br><b>DL3B W/CHRISTIE DS+60 PROJECTOR AND MOUNT</b>             |                             |                  |                  |
| THE INFORMATION CONTAINED IN THIS DRAWING IS THE PROPERTY OF DISPLAY DEVICES, INC. ANY REPRODUCTION IN PART OR WHOLE WITHOUT THE WRITTEN PERMISSION OF DISPLAY DEVICES, INC IS PROHIBITED | UNLESS OTHERWISE SPECIFIED DIMENSIONS ARE IN INCHES.<br><br>TOLERANCES:<br>.XX = ± .02<br>.XXX = ± .010<br>.XXXX = ± .0050<br>ANGLE = ± 0.5 | DRAWN<br>RLS<br>DATE<br>2/11/2005                                     | DATE<br>2/11/2005           | SIZE<br><b>B</b> | DRAWING NO.<br>A |
| MATERIAL<br>NONE  | FINISH<br>NONE  | SCALE<br>NONE   | FILE NAME<br>315-500.SLDDRW | SHEET 1 OF 2     |                  |