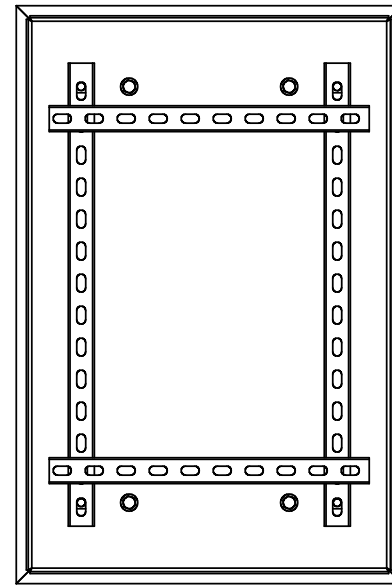


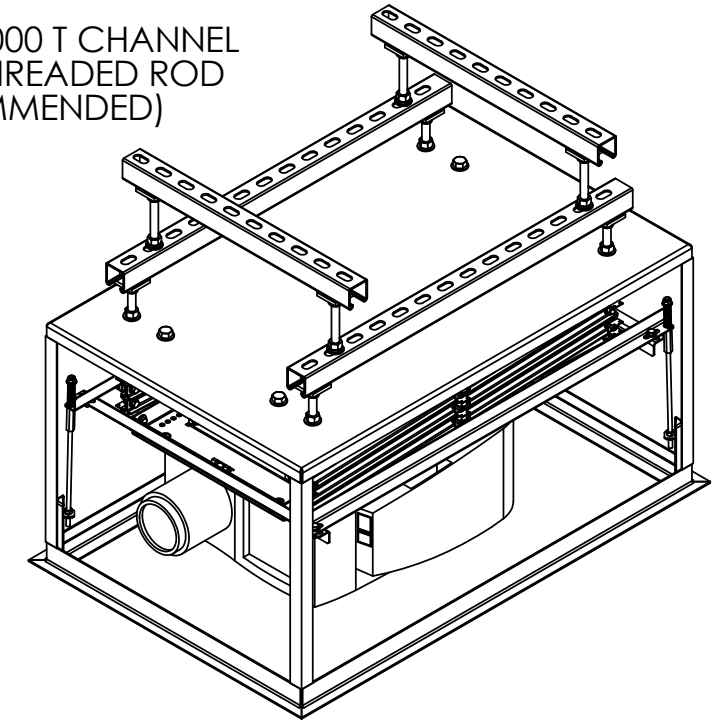
DRAWING REVISION BLOCK

REV	ER	DESCRIPTION	DRAWN	CHECKED	APPROVED	DATE



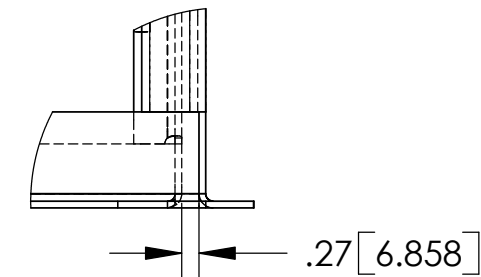
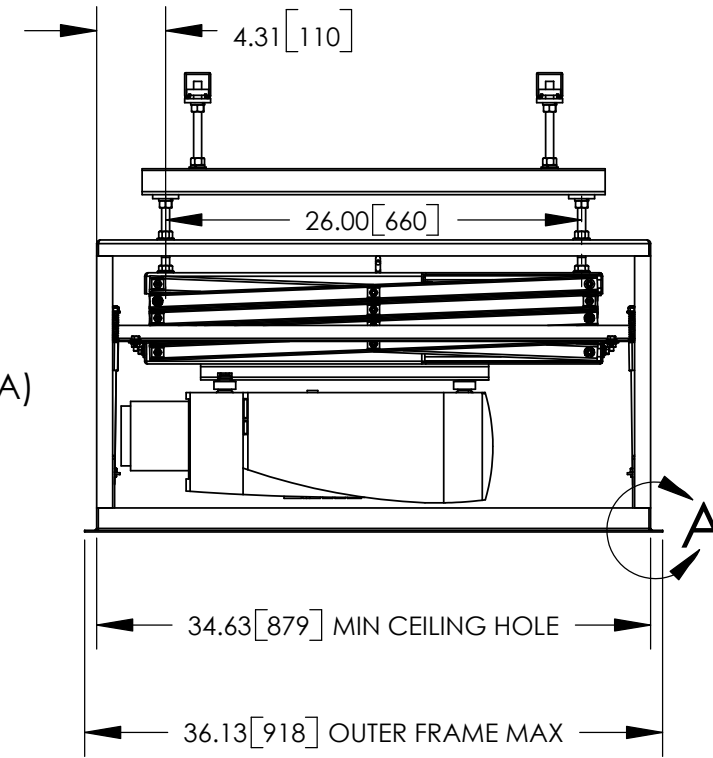
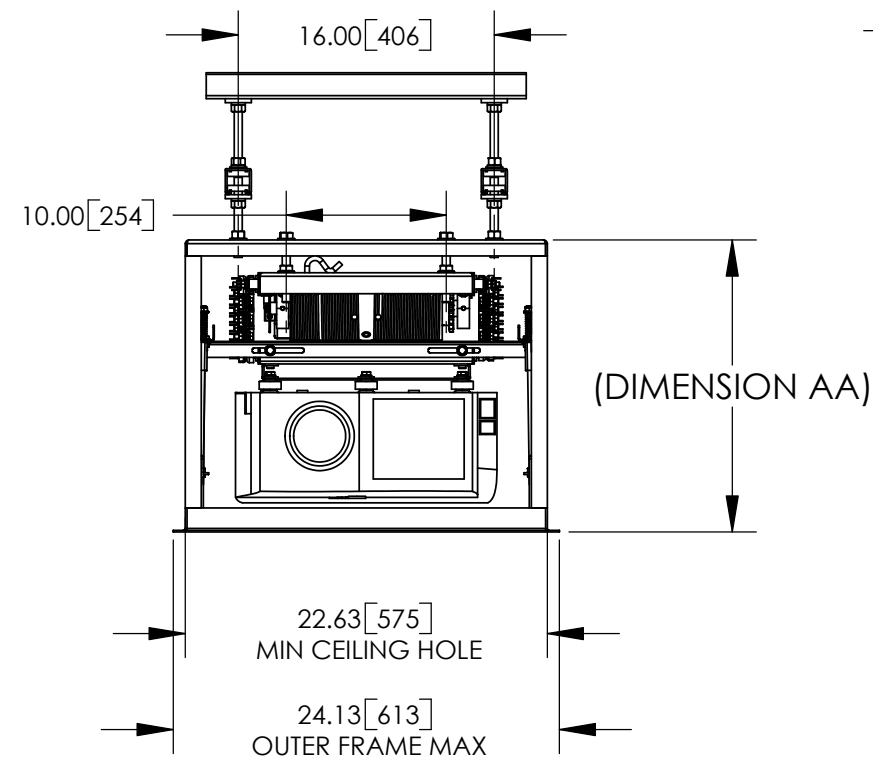
DL3B SIZE	DIMENSION AA	
	INCHES	mm
DL3B-7.5	18.250	464
DL3B-9.5	19.250	489
DL3B-11.0	20.250	514
DL3B-12.5	21.250	540
DL3B-14.0	22.250	565

UNISTRUT P1000 T CHANNEL AND 1/2" THREADED ROD (RECOMMENDED)



NOTES:

- \* UNITS = INCHES [mm]
- \* DIMENSION AA IS REQUIRED SPACE ABOVE CEILING.
- \* COMPONENTS SHOWN ARE THE BARCO IQ PRO R500 WITH MOUNT 73-627, DL3B-7.5, OPT3 AND OPT1.
- \* CTB ROD LENGTH IS 11.375"
- \* OPT3 SKINS ARE REMOVED IN THESE DRAWINGS.



DETAIL A  
SCALE 1 : 3

		<b>DISPLAY DEVICES, INC</b> 5880 SHERIDAN BLVD ARVADA, CO 80003				
		TITLE <b>DL3B - OPT3 STD - OPT1 LIPLSS                  W/BARCO IQ PRO R500</b>				
THE INFORMATION CONTAINED IN THIS DRAWING IS THE PROPERTY OF DISPLAY DEVICES, INC. ANY REPRODUCTION IN PART OR WHOLE WITHOUT THE WRITTEN PERMISSION OF DISPLAY DEVICES, INC IS PROHIBITED	UNLESS OTHERWISE SPECIFIED DIMENSIONS ARE IN INCHES.  TOLERANCES: .XX = ± .02 .XXX = ± .010 .XXXX = ± .0050 ANGLE = ± 0.5	DRAWN RLS	DATE 12/8/2004	SIZE <b>B</b>	DRAWING NO. 315-060	REV A
CHECKED	DATE	MATERIAL NONE	FINISH NONE	SCALE NONE	FILE NAME 315-060.SLDDRW	SHEET 1 OF 2