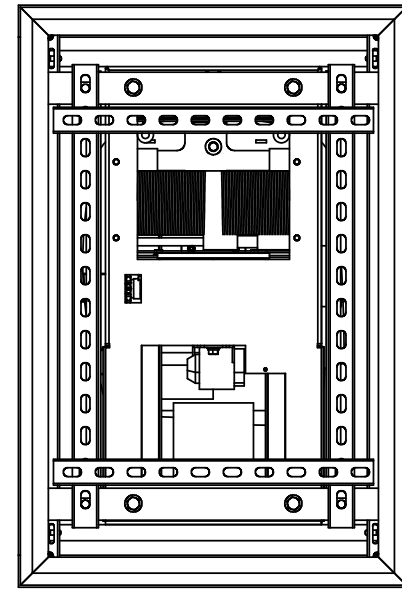
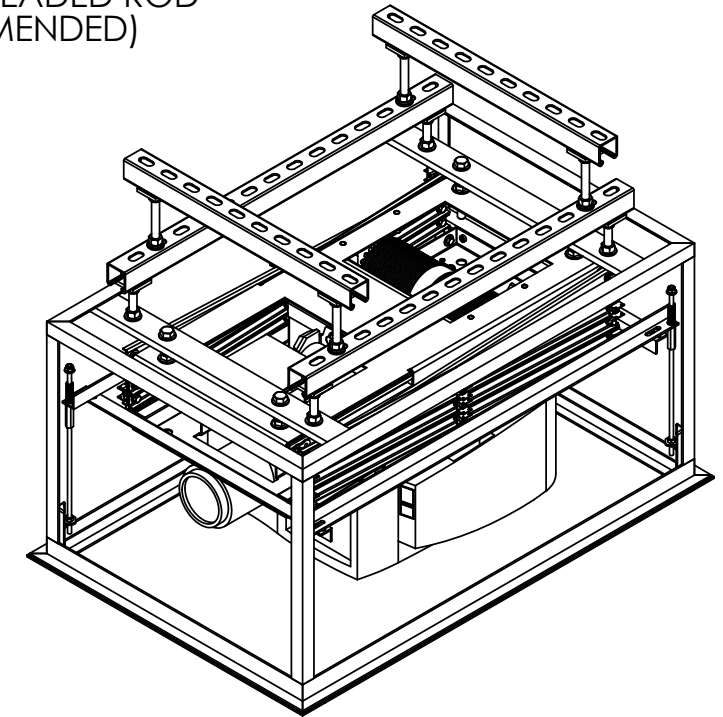


DRAWING REVISION BLOCK						
REV	ER	DESCRIPTION	DRAWN	CHECKED	APPROVED	DATE
A		RELEASE FOR PRODUCTION.	BAR			



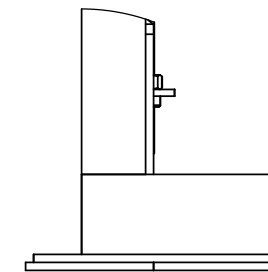
DL3B	DIMENSION AA
DL3B-7.5	17.875" [454mm]
DL3B-9.5	18.875" [479mm]
DL3B-11.0	19.875" [505mm]
DL3B-12.5	20.875" [530mm]
DL3B-14.0	21.875" [556mm]

UNISTRUT P1000 T CHANNEL
AND 1/2" THREADED ROD
(RECOMMENDED)

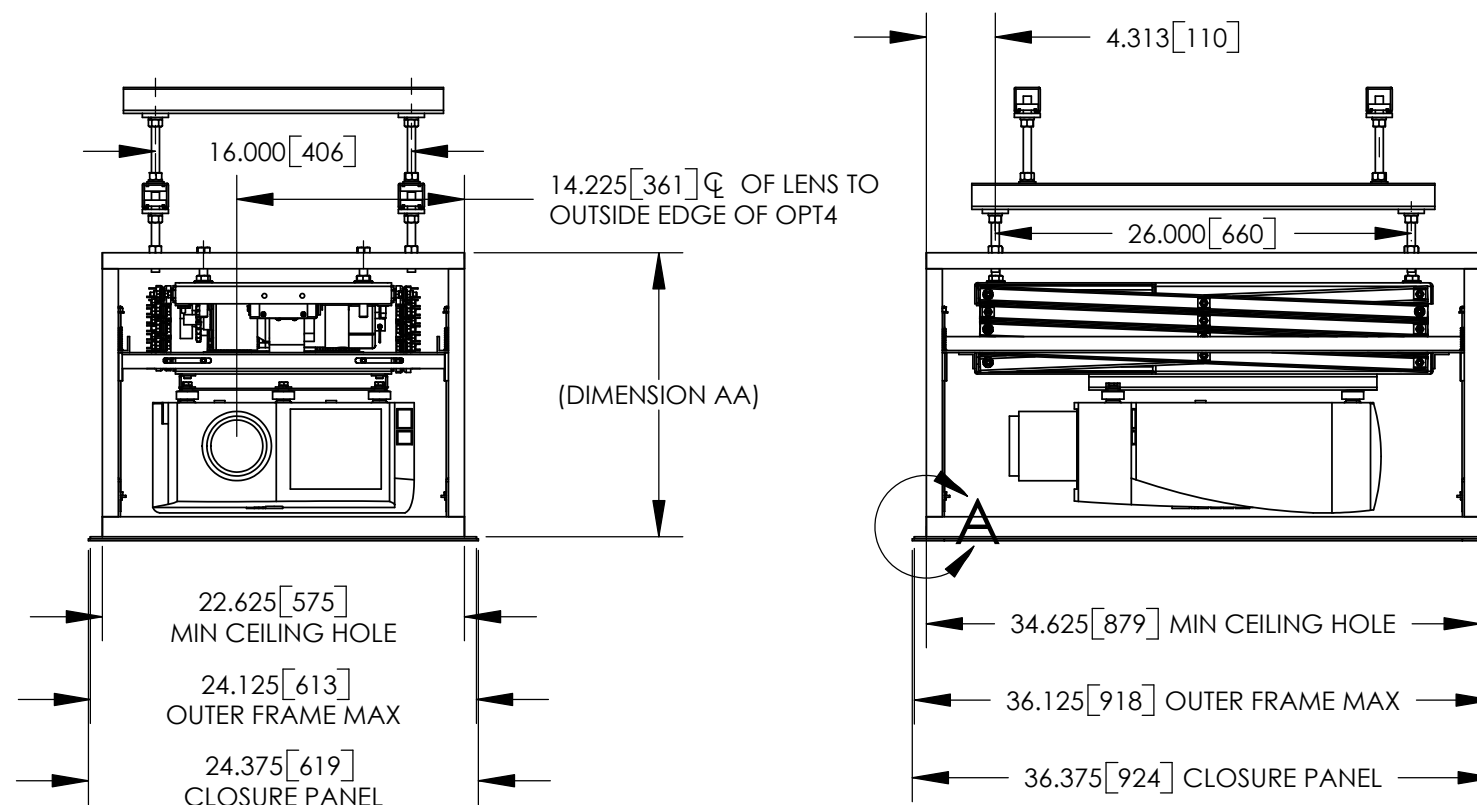


NOTES:

- * DIMENSION AA IS REQUIRED SPACE ABOVE CEILING
- * COMPONENTS SHOWN ARE THE BARCO IQ-G300 WITH QVD 1.9-2.6:1 LENS, 10BL MOUNT, DL3B-7.5, AND OPT4
- * UNIT CAN BE MADE TO FIT A 2' X 3' TILE GRID
- * DL3B IS REVERSED TO ACCOMIDATE LENS
- * CTB ROD LENGTH IS 12.000"



DETAIL A
SCALE 1 : 3



		DISPLAY DEVICES, INC 5880 SHERIDAN BLVD ARVADA, CO 80003				
		TITLE DL3B/OPT4/BARCO IQ-G300				
THE INFORMATION CONTAINED IN THIS DRAWING IS THE PROPERTY OF DISPLAY DEVICES, INC. ANY REPRODUCTION IN PART OR WHOLE WITHOUT THE WRITTEN PERMISSION OF DISPLAY DEVICES, INC IS PROHIBITED	UNLESS OTHERWISE SPECIFIED DIMENSIONS ARE IN INCHES. TOLERANCES: .XX = ± .02 .XXX = ± .010 .XXXX = ± .0050 ANGLE = ± 0.5	DRAWN BAR	DATE 4/9/2003	SIZE B	DRAWING NO. 315-025	REV A
MATERIAL NONE	FINISH NONE	SCALE NONE	FILE NAME 315-025.SLDDRW	SHEET 1 OF 1		