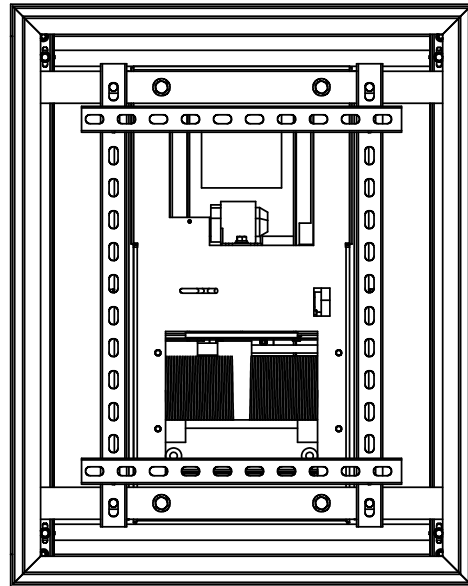


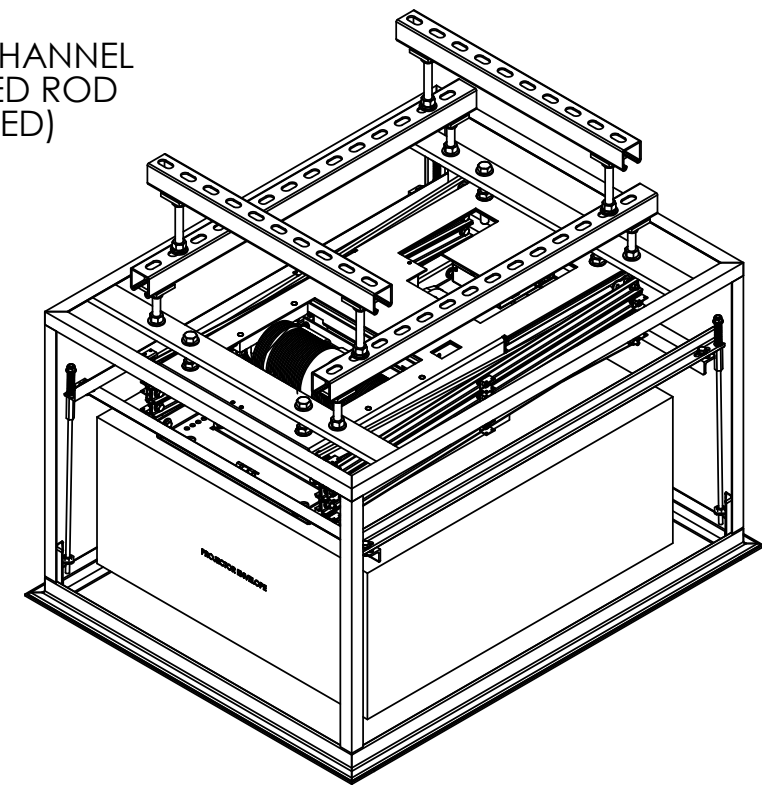
DRAWING REVISION BLOCK

REV	ER	DESCRIPTION	DRAWN	CHECKED	APPROVED	DATE



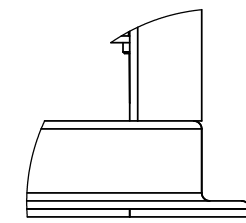
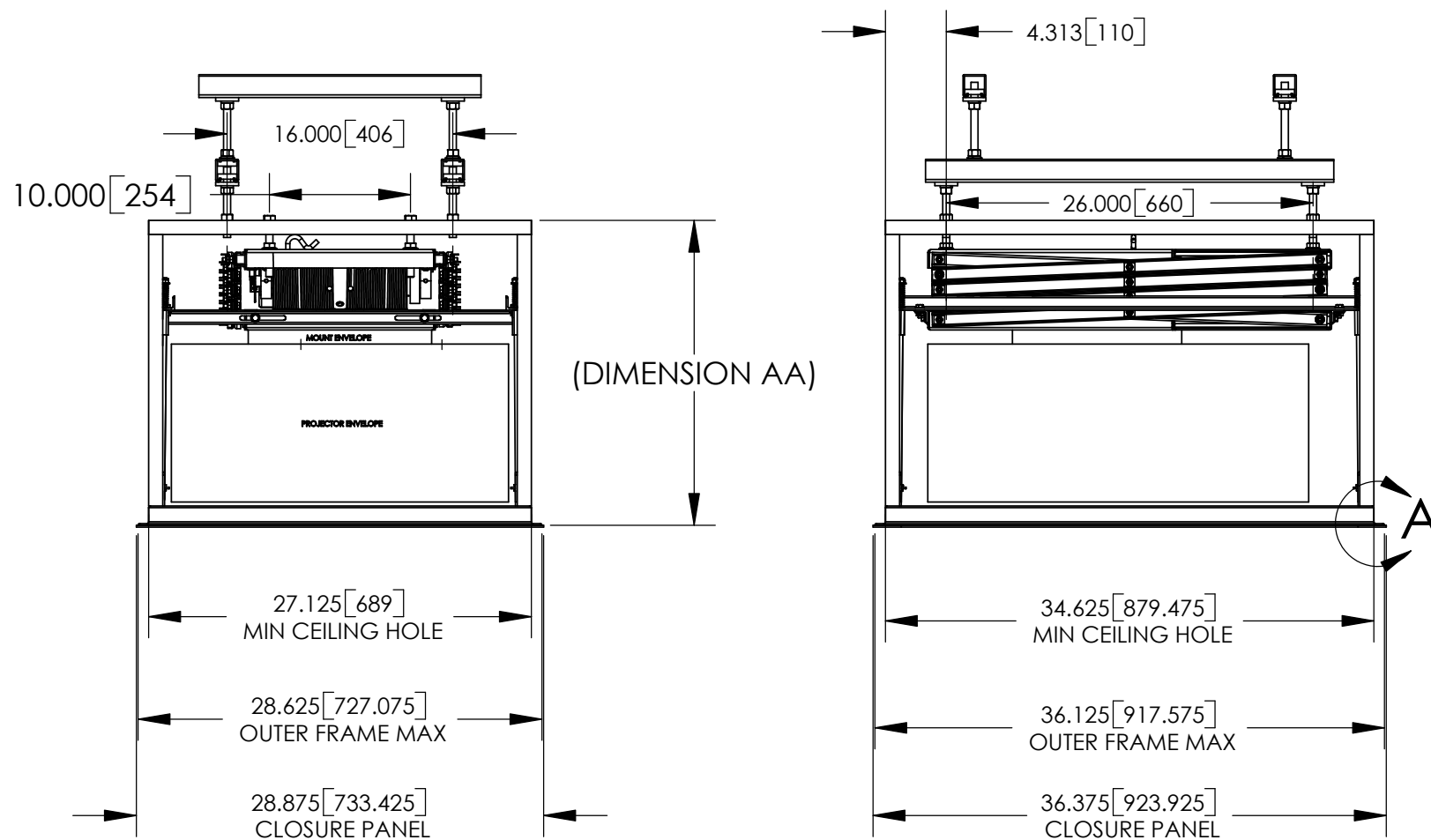
DL3B SIZE	DIMENSION AA	
	INCHES	mm
DL3B-7.5	21.750	552
DL3B-9.5	22.750	578
DL3B-11.0	23.750	603
DL3B-12.5	24.750	629
DL3B-14.0	25.750	654

UNISTRUT P1000 T CHANNEL AND 1/2" THREADED ROD (RECOMMENDED)



NOTES:

- * UNITS = INCHES [mm]
- * DIMENSION AA IS REQUIRED SPACE ABOVE CEILING.
- * COMPONENTS SHOWN ARE THE BARCO CINEVERSUM 110 WITH MOUNT UNKNOWN, DL3B-7.5, OPT3 AND OPT1.
- * CTB ROD LENGTH IS 15.875".
- * OPT3 SKINS ARE REMOVED IN THESE DRAWINGS.



DETAIL A
SCALE 1 : 3

		DISPLAY DEVICES, INC 5880 SHERIDAN BLVD ARVADA, CO 80003			
		TITLE DL3B-OPT3 CSTM-OPT1 LIPPED W/BARCO CINEVERSUM 110			
THE INFORMATION CONTAINED IN THIS DRAWING IS THE PROPERTY OF DISPLAY DEVICES, INC. ANY REPRODUCTION IN PART OR WHOLE WITHOUT THE WRITTEN PERMISSION OF DISPLAY DEVICES, INC IS PROHIBITED	UNLESS OTHERWISE SPECIFIED DIMENSIONS ARE IN INCHES. TOLERANCES: .XX = ± .02 .XXX = ± .010 .XXXX = ± .0050 ANGLE = ± 0.5	DRAWN RLS CHECKED DATE 7/30/2004	DATE 7/30/2004	SIZE B	DRAWING NO. 315-049
MATERIAL NONE		FINISH NONE		SCALE NONE	FILE NAME 315-049.SLDDRW
				REV A	SHEET 1 OF 2