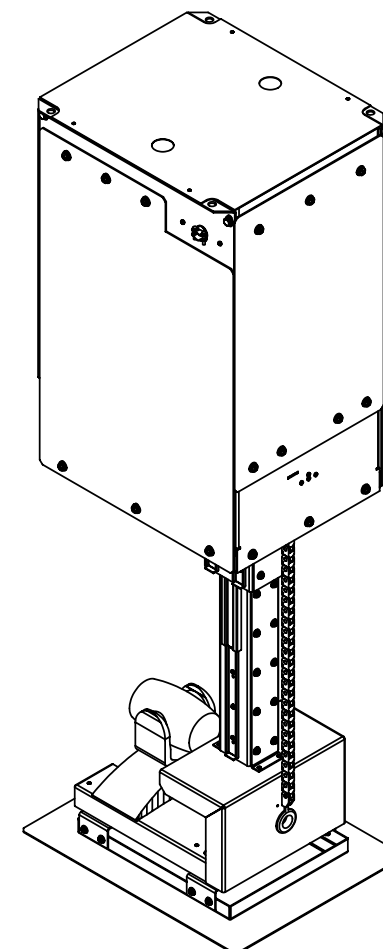
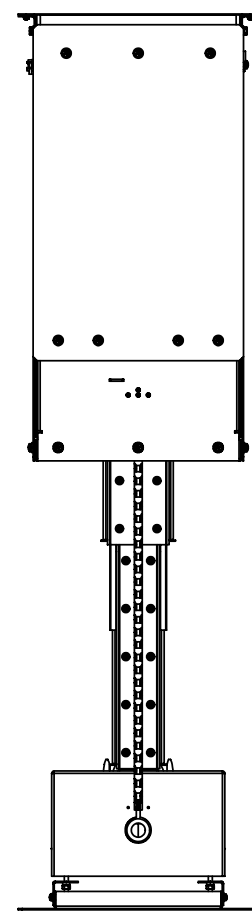
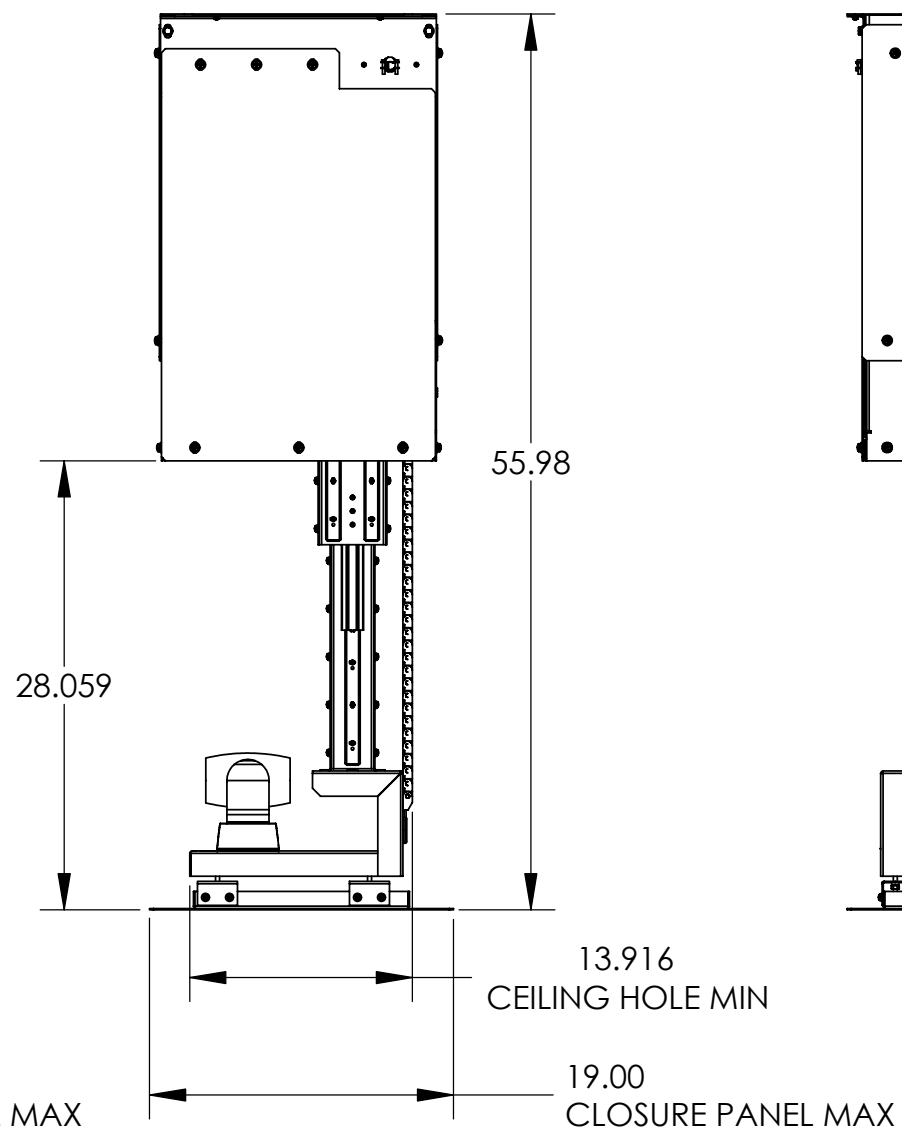
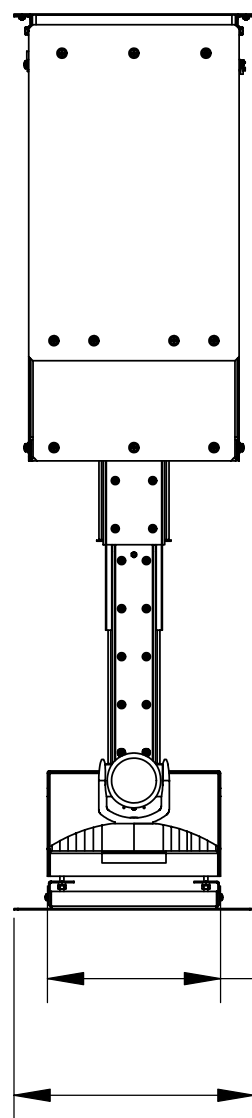
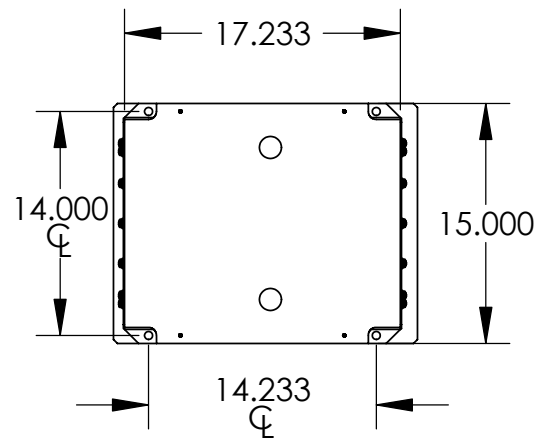


ISOMETRIC VIEW

DRAWING REVISION BLOCK						
REV	ECO	DESCRIPTION	DRAWN	CHECKED	APPROVED	DATE
AX5	-	RELEASE FOR PROTOTYPE	CDO			9/24/2007
AX6	-	ADD DIMENSIONS FOR CEILING HOLE	CDO			10/10/2007
AX7	-	ADD ASSEMBLY DRAWING VIEWS AND HARDWARE	CDO			12/27/2007

<p>THE INFORMATION CONTAINED IN THIS DRAWING IS THE PROPERTY OF DISPLAY DEVICES, INC. ANY REPRODUCTION IN PART OR WHOLE WITHOUT THE WRITTEN PERMISSION OF DISPLAY DEVICES, INC IS PROHIBITED</p>		<p>UNLESS OTHERWISE SPECIFIED DIMENSIONS ARE IN INCHES.</p> <p>TOLERANCES:          .XX = ± .02          .XXX = ± .010          .XXXX = ± .0050          ANGLE = ± 0.5</p>		<p><b>DISPLAY DEVICES</b>          5880 SHERIDAN BLVD          ARVADA, CO 80003</p>	
<p>DRAWN CDO</p>		<p>DATE 7/19/2007</p>		<p>TITLE  <b>CEILING CAMERA LIFT ASSEMBLY</b></p>	
<p>CHECKED</p>		<p>DATE</p>		<p>SIZE <b>B</b> DRAWING NO. 7-2485 REV AX7</p>	
<p>MATERIAL -</p>		<p>FINISH -</p>		<p>SCALE NONE FILE NAME 7-2485 NEW.SLDDRW SHEET 1 OF 13</p>	



ISOMETRIC VIEW

SHOWN WITH CUSTOMER  
CAMERA

THE INFORMATION CONTAINED IN THIS DRAWING IS THE PROPERTY OF DISPLAY DEVICES, INC. ANY REPRODUCTION IN PART OR WHOLE WITHOUT THE WRITTEN PERMISSION OF DISPLAY DEVICES, INC IS PROHIBITED		UNLESS OTHERWISE SPECIFIED DIMENSIONS ARE IN INCHES.  TOLERANCES: .XX = ± .02 .XXX = ± .010 .XXXX = ± .0050 ANGLE = ± 0.5		<b>DISPLAY DEVICES</b> 5880 SHERIDAN BLVD ARVADA, CO 80003	
DRAWN CDO		DATE 7/19/2007		TITLE CEILING CAMERA LIFT ASSEMBLY	
CHECKED		DATE		SIZE <b>B</b>	DRAWING NO. 7-2485
MATERIAL -		FINISH -		SCALE NONE	REV AX7
				FILE NAME 7-2485 NEW.SLDDRW	SHEET 3 OF 13