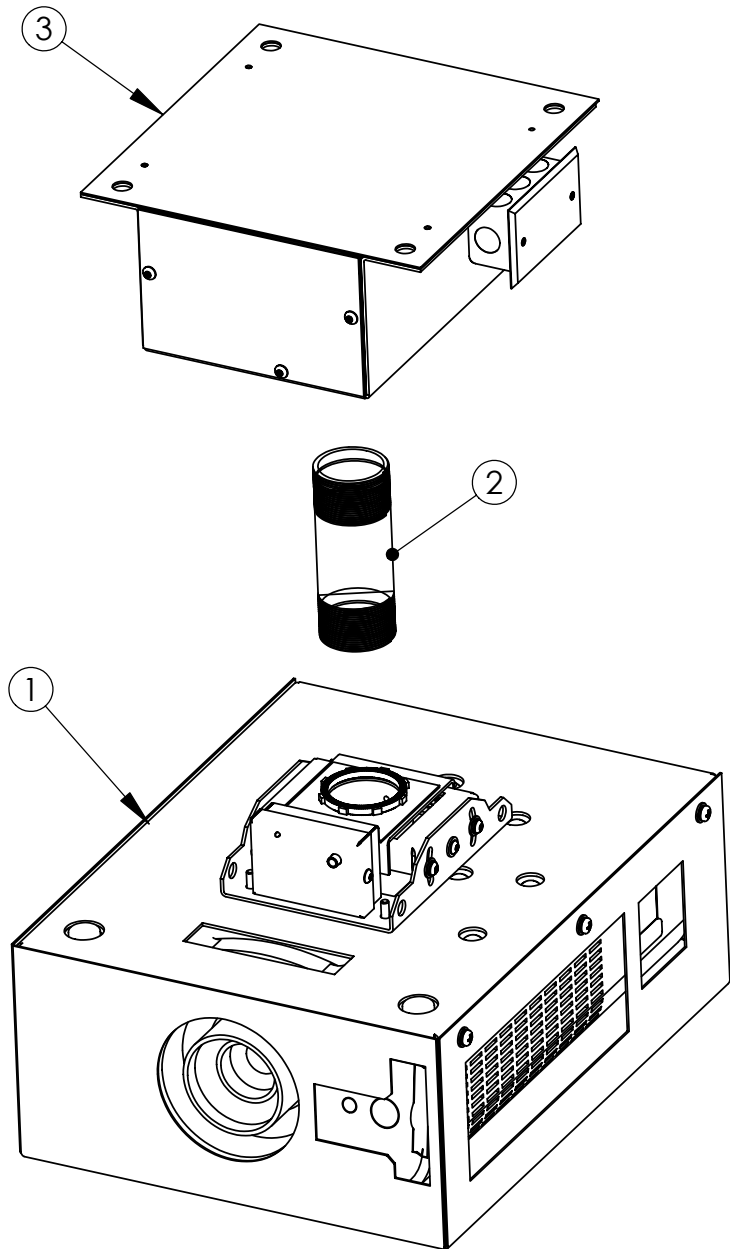


DRAWING REVISION BLOCK						
REV	ECO	DESCRIPTION	DRAWN	CHECKED	APPROVED	DATE
AX1	-	RELEASE FOR PROTOTYPE	CDO			6/11/2007



ITEM NO	QTY	PART NO	DESCRIPTION
1	1	61-268	AT MOUNT ASSY - EIKI LC-XG250
2	1	65-339	6" THREADED POLE
3	1	61-002	CMPLT TOP PAN ASSEM

- 5. ALL THREADS TO BE FREE OF POWDER COAT AND, OR PAINT.
- 4. DEBUR ALL SHARP EDGES.
- 3. ☒ = ITEM CHANGED AT LAST REVISION.
- 2. ALL DIMENSIONS ARE IN INCHES.
- 1. DO NOT SCALE DRAWING.

NOTES: UNLESS OTHERWISE SPECIFIED

THE INFORMATION CONTAINED IN THIS DRAWING IS THE PROPERTY OF DISPLAY DEVICES, INC. ANY REPRODUCTION IN PART OR WHOLE WITHOUT THE WRITTEN PERMISSION OF DISPLAY DEVICES, INC IS PROHIBITED		UNLESS OTHERWISE SPECIFIED DIMENSIONS ARE IN INCHES. TOLERANCES: .XX = ± .02 .XXX = ± .010 .XXXX = ± .0050 ANGLE = ± 0.5		DISPLAY DEVICES 5880 SHERIDAN BLVD ARVADA, CO 80003	
DRAWN CDO		DATE 6/11/2007		AT-PCM FOR EIKI LC-XG250	
CHECKED		DATE			
MATERIAL -		SCALE NONE		61-500 61-500.SLDDRW	
FINISH -		FILE NAME			
		DRAWING NO. 61-500		REV AX1	
		SHEET 1 OF 1			