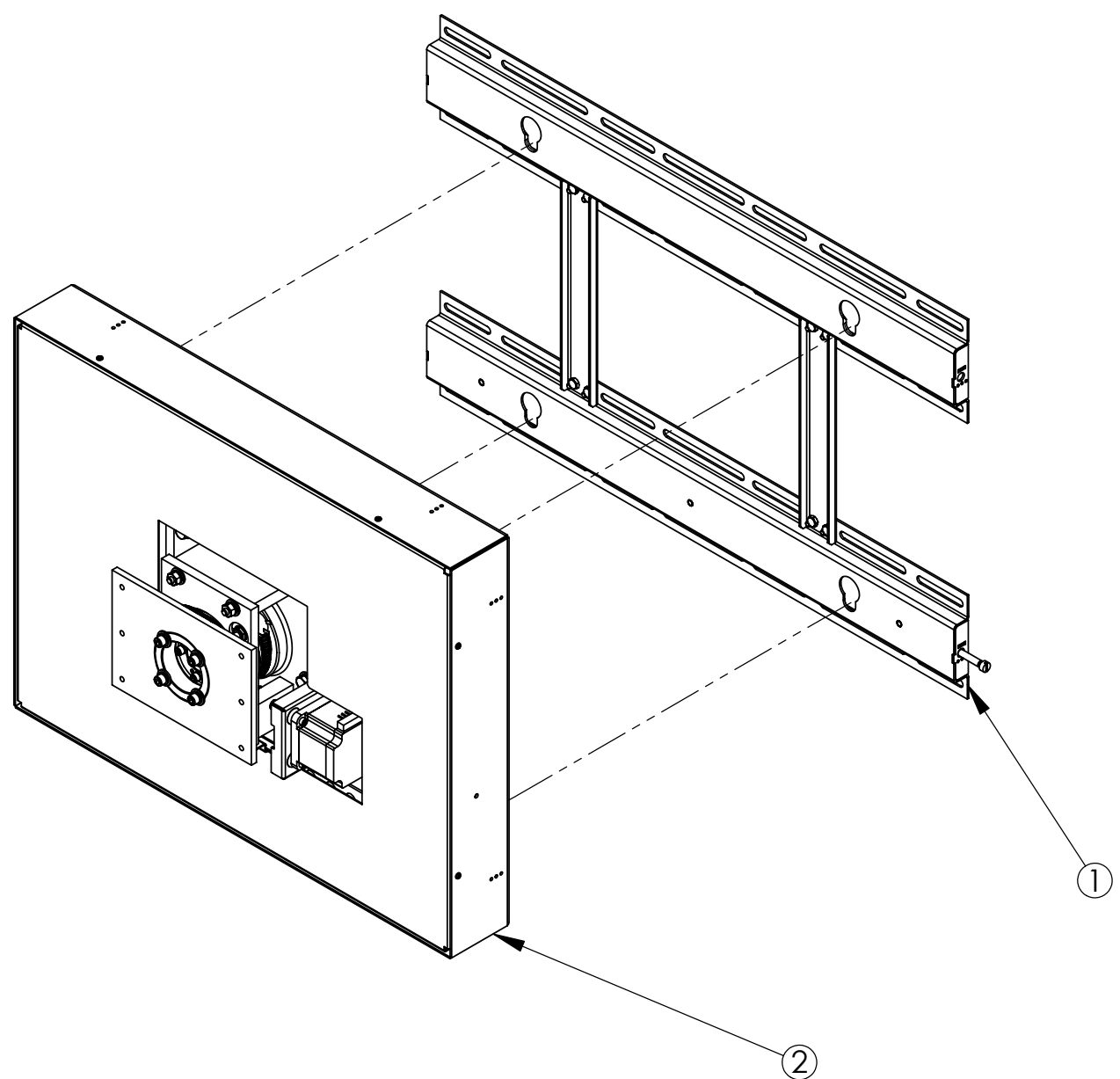


DRAWING REVISION BLOCK						
REV	ECO	DESCRIPTION	DRAWN	CHECKED	APPROVED	DATE
A	-	RELEASE FOR PRODUCTION	CRH			4/29/2005

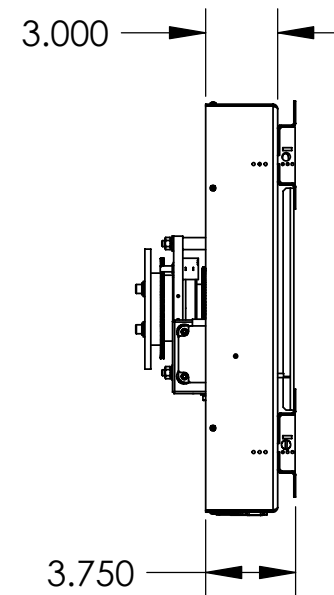
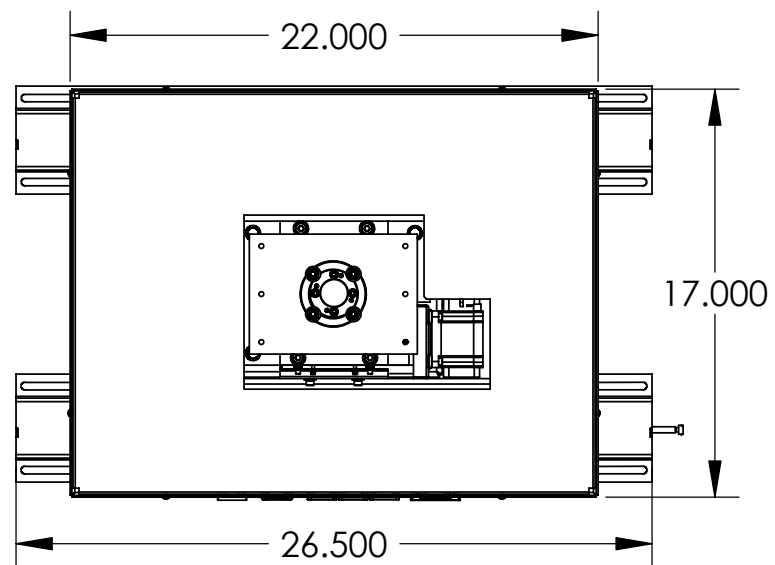
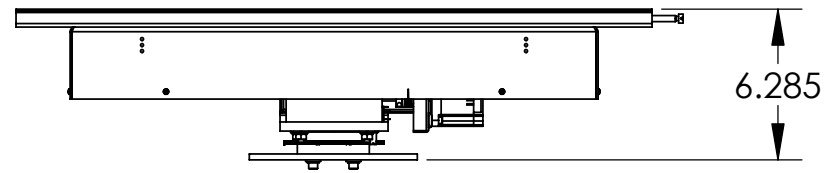


ITEM NO	QTY	PART NO	DESCRIPTION
1	1	115-150	MNT RAIL ASSEM - 16" X 12" LUG PATTERN
2	1	82-130	MOTORIZED ROTATING ASSEMBLY

- 5. ALL THREADS TO BE FREE OF POWDER COAT AND, OR PAINT.
- 4. DEBUR ALL SHARP EDGES.
- 3. ☒ = ITEM CHANGED AT LAST REVISION.
- 2. ALL DIMENSIONS ARE IN INCHES.
- 1. DO NOT SCALE DRAWING.

NOTES: UNLESS OTHERWISE SPECIFIED

THE INFORMATION CONTAINED IN THIS DRAWING IS THE PROPERTY OF DISPLAY DEVICES, INC. ANY REPRODUCTION IN PART OR WHOLE WITHOUT THE WRITTEN PERMISSION OF DISPLAY DEVICES, INC IS PROHIBITED		UNLESS OTHERWISE SPECIFIED DIMENSIONS ARE IN INCHES. TOLERANCES: .XX = ± .02 .XXX = ± .010 .XXXX = ± .0050 ANGLE = ± 0.5		DISPLAY DEVICES 5880 SHERIDAN BLVD ARVADA, CO 80003	
DRAWN		DATE		TITLE	
CRH		4/28/2005		MOTORIZED ROTATING WALL MOUNT	
CHECKED		DATE		SIZE	DRAWING NO.
				B	82-100
MATERIAL		FINISH		SCALE	FILE NAME
-		-		NONE	82-100.SLDDRW
				REV	SHEET 1 OF 2
				A	



THE INFORMATION CONTAINED IN THIS DRAWING IS THE PROPERTY OF DISPLAY DEVICES, INC. ANY REPRODUCTION IN PART OR WHOLE WITHOUT THE WRITTEN PERMISSION OF DISPLAY DEVICES, INC IS PROHIBITED		UNLESS OTHERWISE SPECIFIED DIMENSIONS ARE IN INCHES. TOLERANCES: .XX = ± .02 .XXX = ± .010 .XXXX = ± .0050 ANGLE = ± 0.5		DISPLAY DEVICES 5880 SHERIDAN BLVD ARVADA, CO 80003	
				TITLE MOTORIZED ROTATING WALL MOUNT	
DRAWN CRH	DATE 4/28/2005	SIZE B	DRAWING NO. 82-100	REV A	
CHECKED -	DATE -	SCALE NONE	FILE NAME 82-100.SLDDRW	SHEET 2 OF 2	