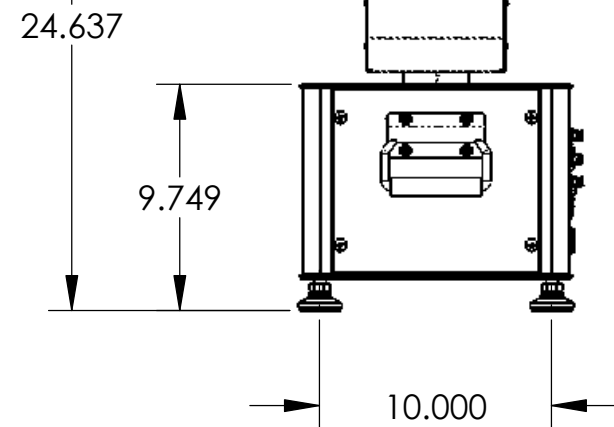
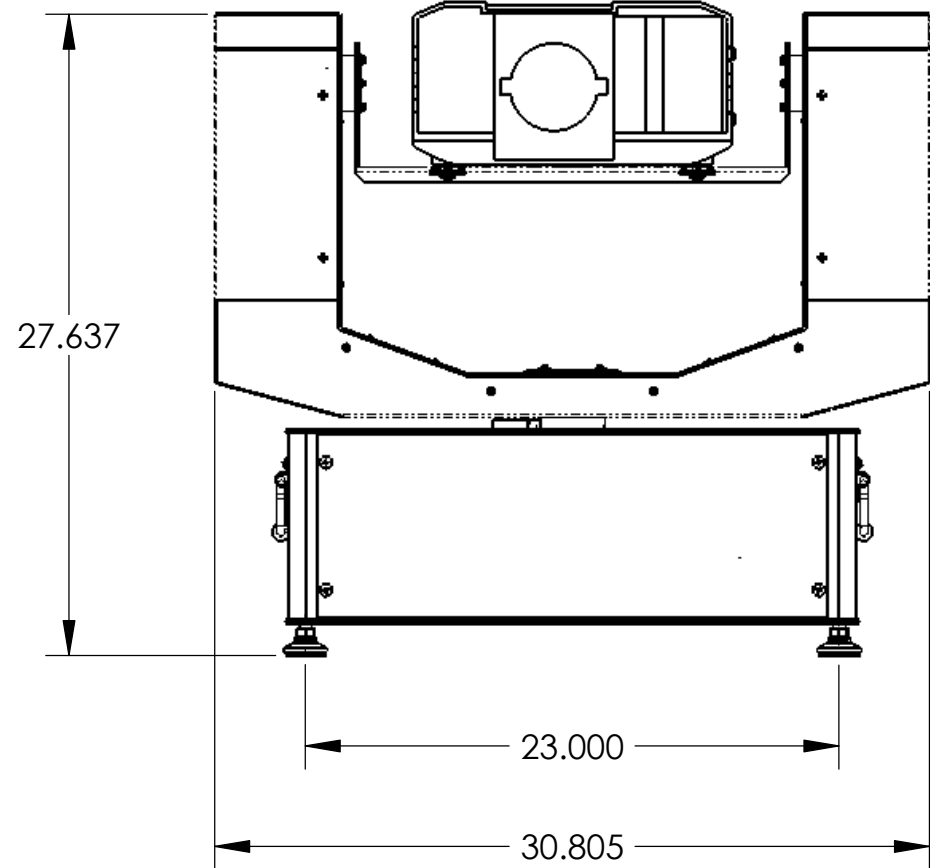
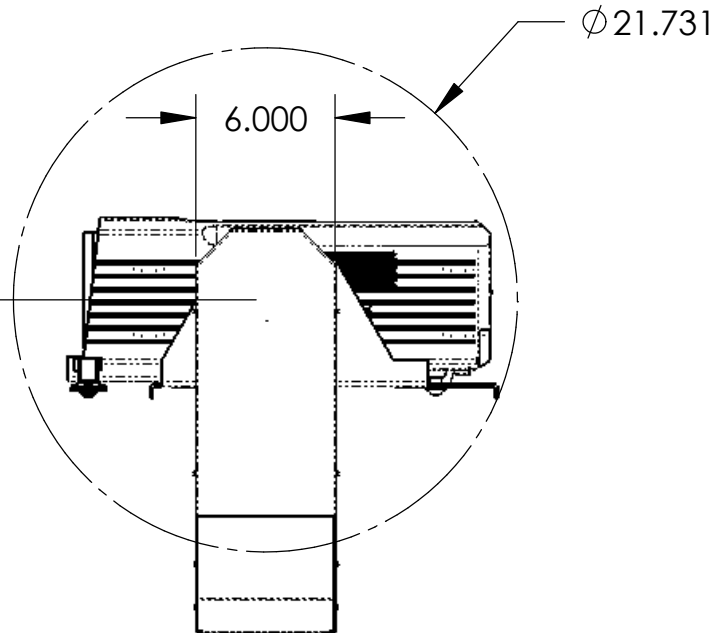
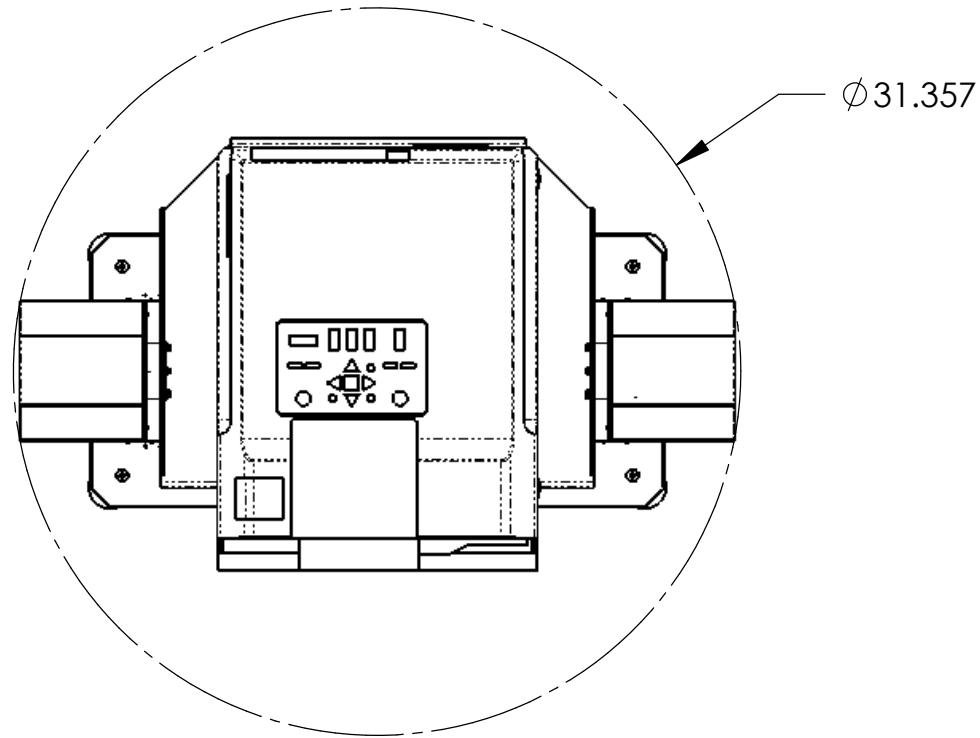


DRAWING REVISION BLOCK

REV	ER	DESCRIPTION	DRAWN	CHECKED	APPROVED	DATE



**DISPLAY DEVICES INC.**

THE INFORMATION CONTAINED IN THIS DRAWING IS THE PROPERTY OF DISPLAY DEVICES, INC. ANY REPRODUCTION IN PART OR WHOLE WITHOUT THE WRITTEN PERMISSION OF DISPLAY DEVICES, INC IS PROHIBITED

UNLESS OTHERWISE SPECIFIED DIMENSIONS ARE IN INCHES.  
TOLERANCES:  
.XX =  $\pm .02$   
.XXX =  $\pm .010$   
.XXXX =  $\pm .0050$   
ANGLE =  $\pm 0.5$

**DISPLAY DEVICES, INC**  
5880 SHERIDAN BLVD  
ARVADA, CO 80003

TITLE  
**PYXIS**

DRAWN: JTW  
CHECKED:   
MATERIAL:   
FINISH:   
DATE: 1/26/2004

SIZE: **B**  
DRAWING NO.: 79-150  
REV: -

SCALE: NONE  
FILE NAME: 79-150.SLDDRW  
SHEET 1 OF 2