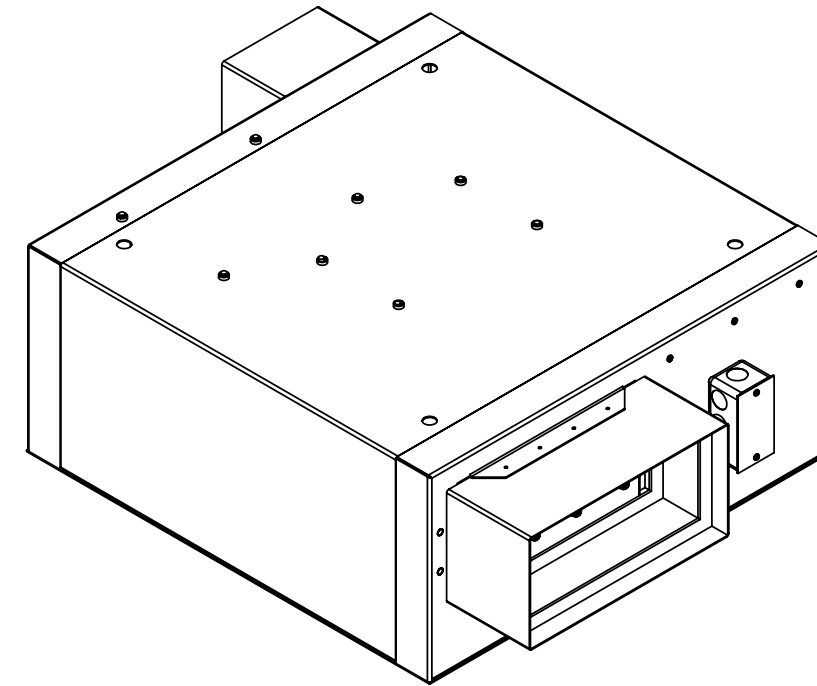
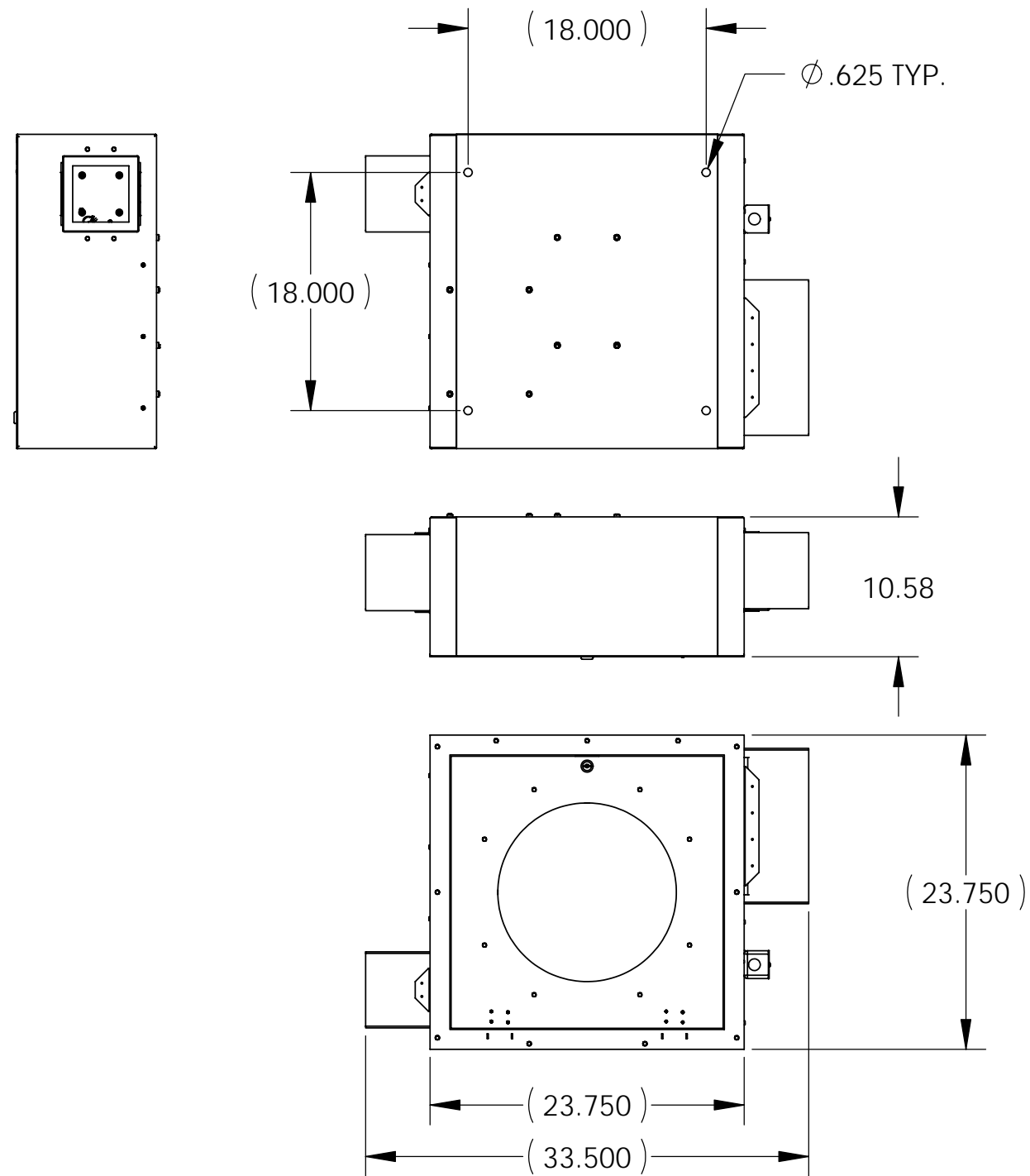


DRAWING REVISION BLOCK						
REV	ECO	DESCRIPTION	DRAWN	CHECKED	APPROVED	DATE
A	-	RELEASE FOR PRODUCTION	BSV			5/25/2006
B	ECO-0568	REPLACED FAN ASSEMBLYS AND ADDED NOTE ABOUT POWER CORD	BSV			9/27/2007



SEE SHEET 2 FOR BILL OF MATERIALS

6. PLUG ONE END OF POWER CORD INTO CONTROL BOX AND STRAIN RELIEF THE OTHER SIDE INTO THE JUNCTION BOX. DDI P/N: 5900-11640 CORD, IEC M TO IEC F, 3'.
5. ALL THREADS TO BE FREE OF POWDER COAT AND, OR PAINT.
4. DEBUR ALL SHARP EDGES.
3. ☒ = ITEM CHANGED AT LAST REVISION.
2. ALL DIMENSIONS ARE IN INCHES.
1. DO NOT SCALE DRAWING.

NOTES: UNLESS OTHERWISE SPECIFIED

THE INFORMATION CONTAINED IN THIS DRAWING IS THE PROPERTY OF DISPLAY DEVICES, INC. ANY REPRODUCTION IN PART OR WHOLE WITHOUT THE WRITTEN PERMISSION OF DISPLAY DEVICES, INC IS PROHIBITED.		UNLESS OTHERWISE SPECIFIED DIMENSIONS ARE IN INCHES. TOLERANCES: .XX = ± .02 .XXX = ± .010 .XXXX = ± .0050 ANGLE = ± 0.5		DISPLAY DEVICES 5880 SHERIDAN BLVD ARVADA, CO 80003	
				WOLFVISION PLENUM ASSY, QUICK RELEASE, VZ-C30, TEMP CNTRL, CT	
DRAWN	CRA	DATE	8/17/2005	SIZE	DRAWING NO.
CHECKED		DATE		B	7-1241
MATERIAL	NONE			SCALE	FILE NAME
FINISH	NONE			NONE	7-1241.SLDDRW
				REV	B
				SHEET 1 OF 2	