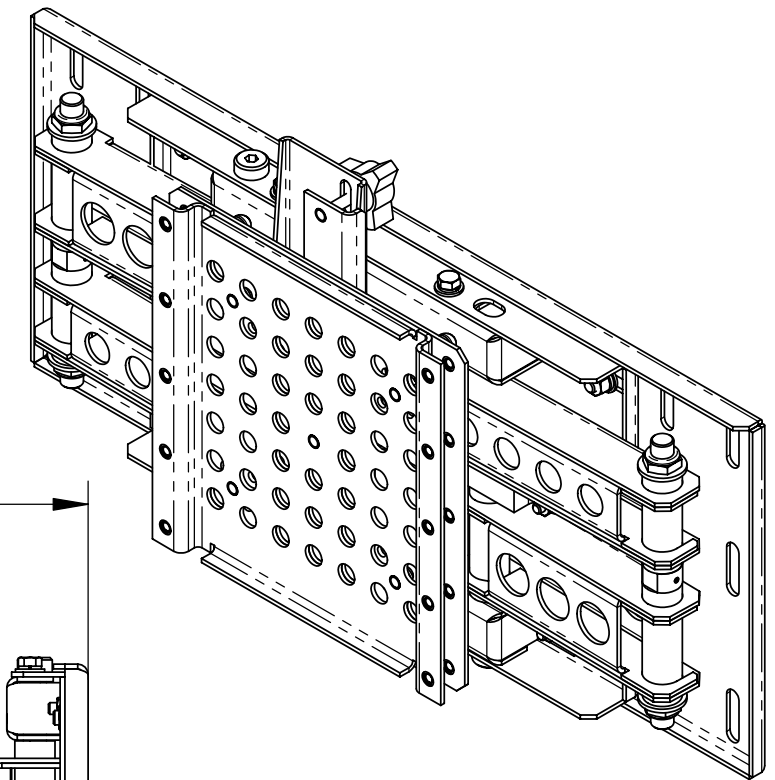
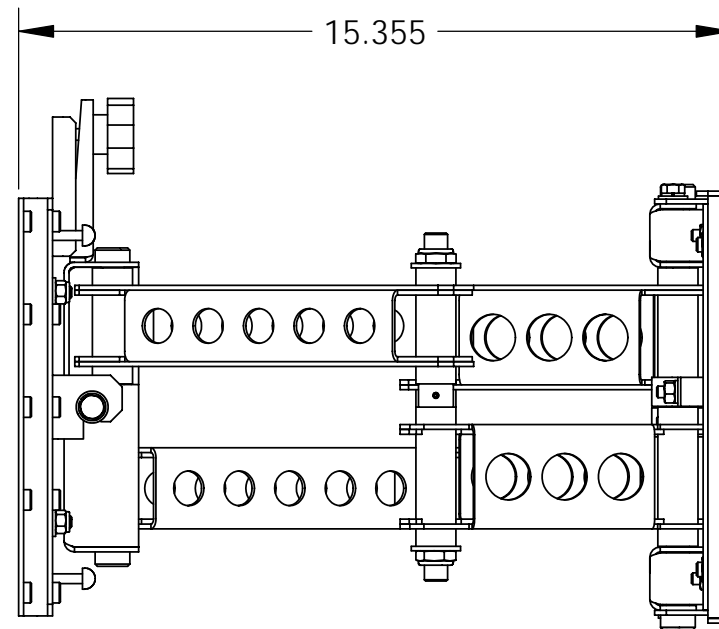
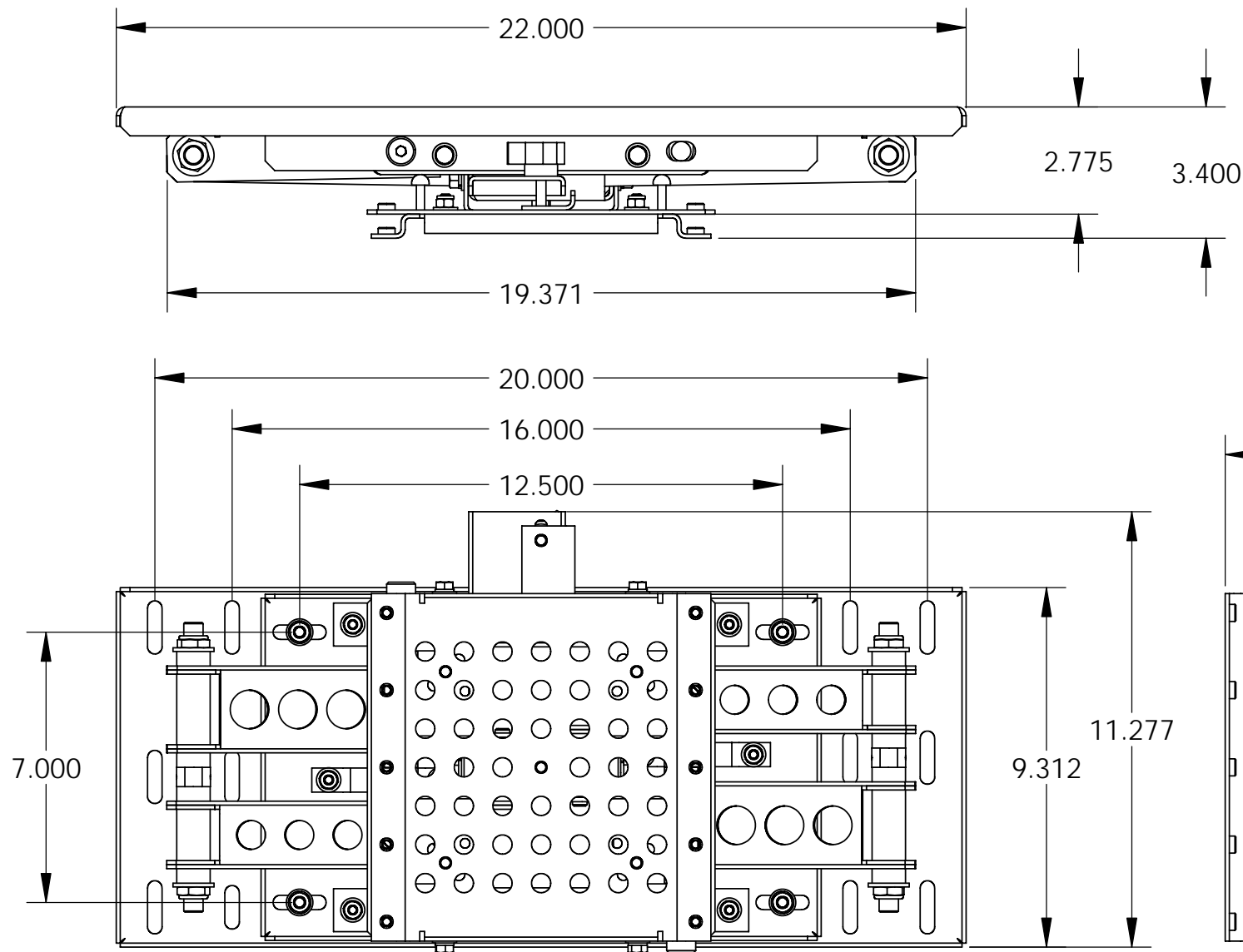


DRAWING REVISION BLOCK						
REV	ER	DESCRIPTION	DRAWN	CHECKED	APPROVED	DATE
AX1		RELEASED FOR PROTOTYPE	JTW			6/26/2003
AX2			JTW			8/11/2003
A			JTW			9/30/2003
B		ADDED ROTATE ADJ PLATE	JTW			12/31/2003



DISPLAY DEVICES INC.		DISPLAY DEVICES, INC 5880 SHERIDAN BLVD ARVADA, CO 80003		
THE INFORMATION CONTAINED IN THIS DRAWING IS THE PROPERTY OF DISPLAY DEVICES, INC. ANY REPRODUCTION IN PART OR WHOLE WITHOUT THE WRITTEN PERMISSION OF DISPLAY DEVICES, INC IS PROHIBITED		UNLESS OTHERWISE SPECIFIED DIMENSIONS ARE IN INCHES. TOLERANCES: .XX = ± .02 .XXX = ± .010 .XXXX = ± .0050 ANGLE = ± 0.5		
DRAWN	DATE	SIZE	DRAWING NO.	REV
JTW	6/26/2003	B	69-023	B
CHECKED	DATE	MATERIAL	SCALE	FILE NAME
		SEE BOM	NONE	69-023.SLDDRW
FINISH	NONE		SHEET 1	OF 2