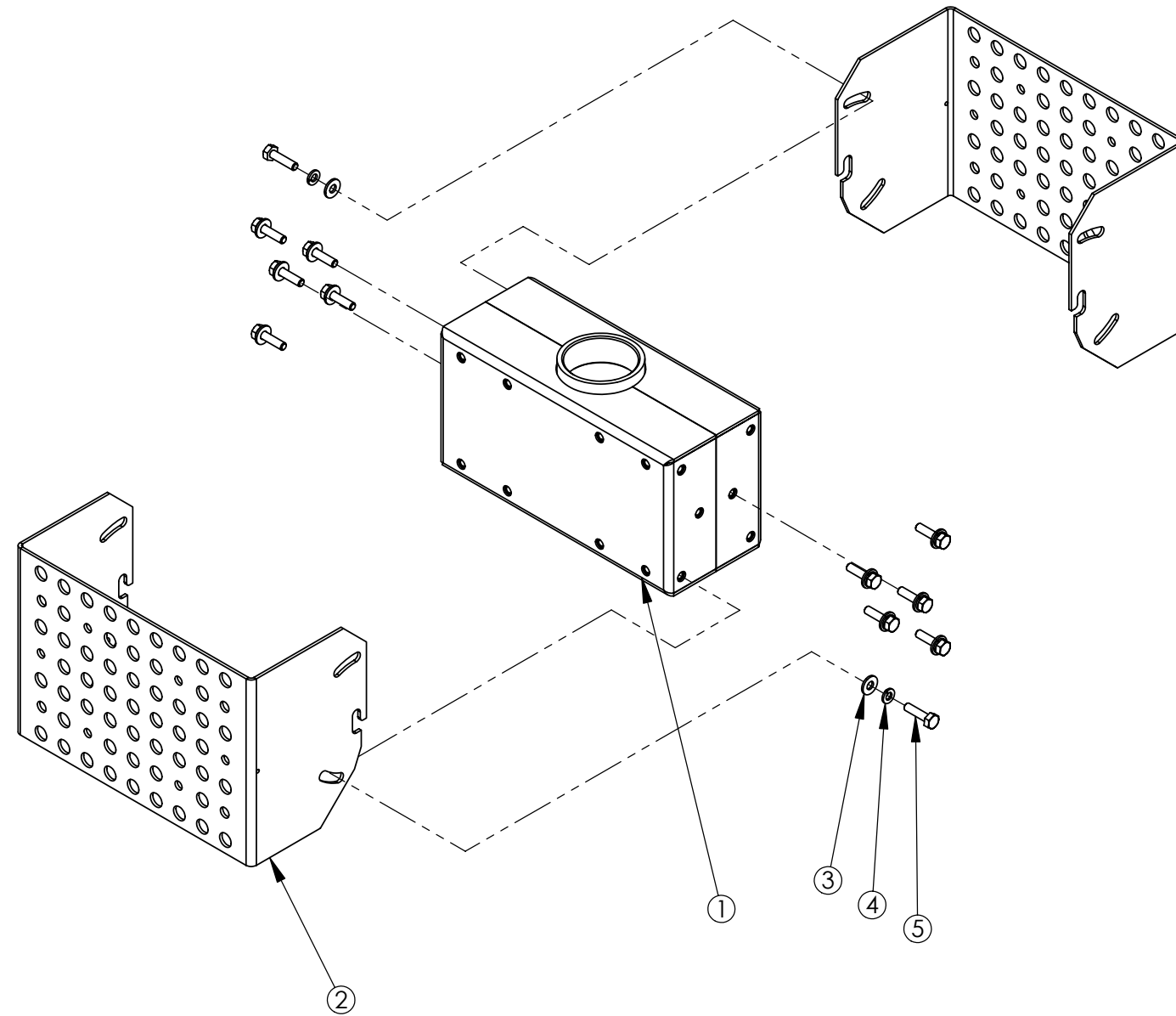


DRAWING REVISION BLOCK						
REV	ECO	DESCRIPTION	DRAWN	CHECKED	APPROVED	DATE
A	-	RELEASE FOR PRODUCTION	CRH			10/10/2003
B	ECO-0539	ADDED 100X100 AND 100X200 VESA MOUNT HOLES. UPDATED DRAWING FORMAT. SEE PREVIOUS REVISION FOR WAS CONDITION.	CRH			7/3/2007



ITEM NO.	QTY	DDI NO.	DESCRIPTION
1	1	65-340	PLASMA/POLE ADAPTER BOX - NARROW
2	2	65-343	DUAL PLASMA YOKE - NARROW
3	12	5950-12200	1/4, FL WASHER, STL, ZI
4	12	5950-13250	1/4, LK WASHER, STL, PL
5	12	5900-12450	1/4-20 X 1, HHCS, HX, GR5, PL

- 5. ALL THREADS TO BE FREE OF POWDER COAT AND, OR PAINT.
- 4. DEBUR ALL SHARP EDGES.
- 3. ☒ = ITEM CHANGED AT LAST REVISION.
- 2. ALL DIMENSIONS ARE IN INCHES.
- 1. DO NOT SCALE DRAWING.

NOTES: UNLESS OTHERWISE SPECIFIED

THE INFORMATION CONTAINED IN THIS DRAWING IS THE PROPERTY OF DISPLAY DEVICES, INC. ANY REPRODUCTION IN PART OR WHOLE WITHOUT THE WRITTEN PERMISSION OF DISPLAY DEVICES, INC IS PROHIBITED		UNLESS OTHERWISE SPECIFIED DIMENSIONS ARE IN INCHES. TOLERANCES: .XX = ± .02 .XXX = ± .010 .XXXX = ± .0050 ANGLE = ± 0.5		DISPLAY DEVICES 5880 SHERIDAN BLVD ARVADA, CO 80003	
DRAWN CRH CHECKED MATERIAL - FINISH -		DATE 5/30/2003 DATE FILE NAME 65-352.SLDDRW		TITLE DUAL PLASMA DISPLAY ASSEMBLY - NARROW	
SIZE B		DRAWING NO. 65-352		REV B	
SCALE NONE		SHEET 1 OF 1			