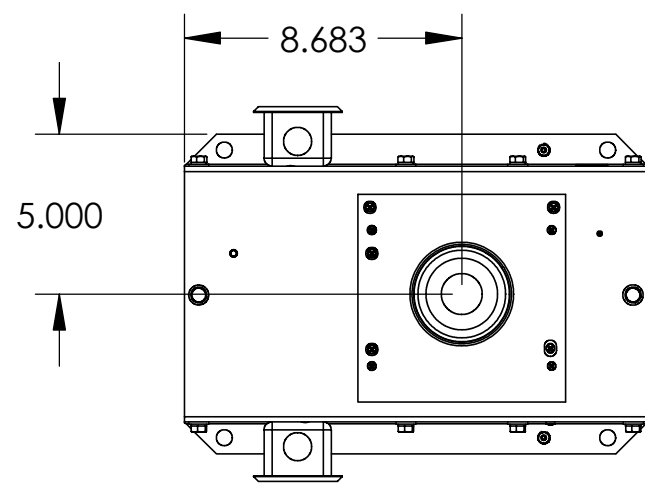
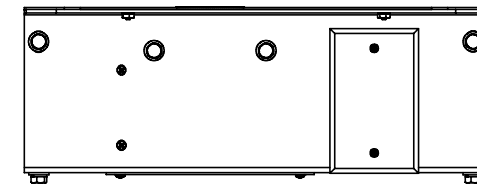
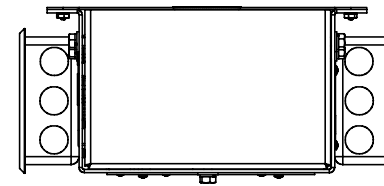
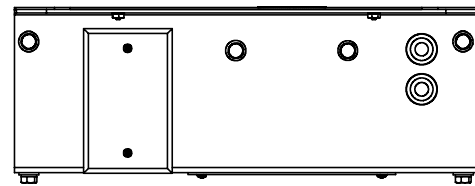
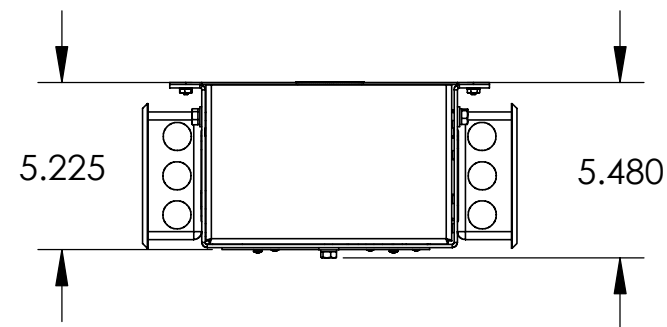
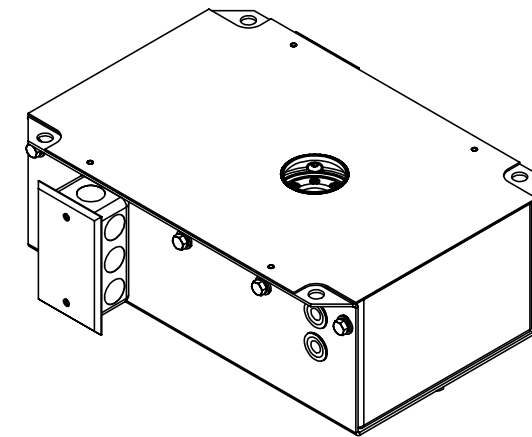
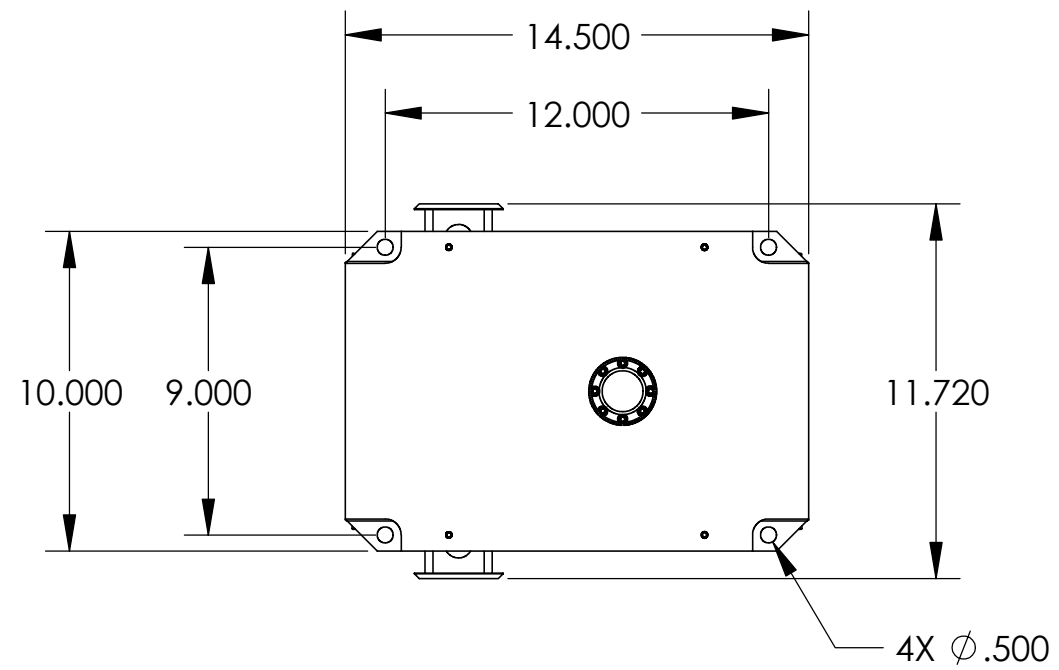


DISPLAY DEVICES, INC.		DISPLAY DEVICES, INC 5880 SHERIDAN BLVD ARVADA, CO 80003		
THE INFORMATION CONTAINED IN THIS DRAWING IS THE PROPERTY OF DISPLAY DEVICES, INC. ANY REPRODUCTION IN PART OR WHOLE WITHOUT THE WRITTEN PERMISSION OF DISPLAY DEVICES, INC IS PROHIBITED		UNLESS OTHERWISE SPECIFIED DIMENSIONS ARE IN INCHES. TOLERANCES: .XX = ± .02 .XXX = ± .010 .XXXX = ± .0050 ANGLE = ± 0.5		TITLE MRCM COMPLETE ASSEMBLY
DRAWN BAR	DATE 6/20/2001	SIZE B	DRAWING NO. 64-118	REV A
MATERIAL NONE	FINISH NONE	SCALE NONE	FILE NAME 64-118.SLDDRW	SHEET 3 OF 4



FEC		FEC P.O. BOX 266 ALBERTSON, NY 11507	
<small>THE INFORMATION CONTAINED IN THIS DRAWING IS THE PROPERTY OF FEC. ANY REPRODUCTION IN PART OR WHOLE WITHOUT THE WRITTEN PERMISSION OF FEC IS PROHIBITED</small>		<small>UNLESS OTHERWISE SPECIFIED DIMENSIONS ARE IN INCHES.</small> TOLERANCES: .XX = ± .02 .XXX = ± .010 .XXXX = ± .0050 ANGLE = ± 0.5	
		TITLE MRCM COMPLETE ASSEMBLY	
<small>DRAWN</small> BAR	<small>DATE</small> 6/20/2001	<small>SIZE</small> B	<small>DRAWING NO.</small> 64-118
<small>CHECKED</small>	<small>DATE</small>	<small>SCALE</small> NONE	<small>REV</small> A
<small>MATERIAL</small> NONE	<small>FINISH</small> NONE	<small>FILE NAME</small> 64-118.SLDDRW	<small>SHEET 4 OF 4</small>