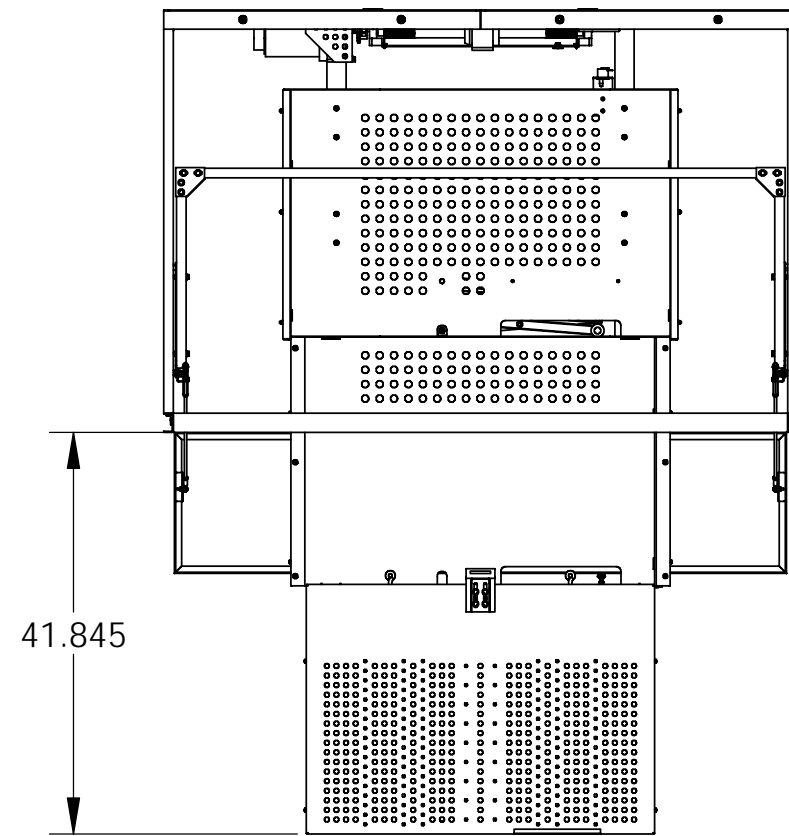
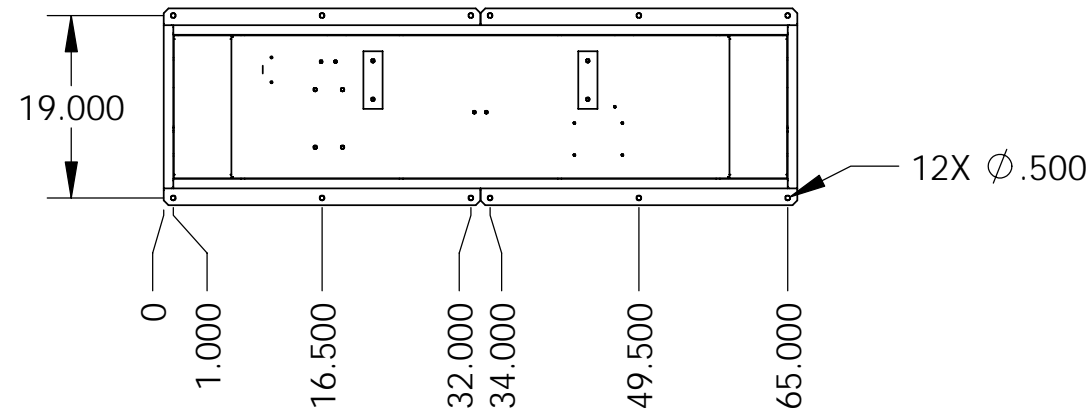
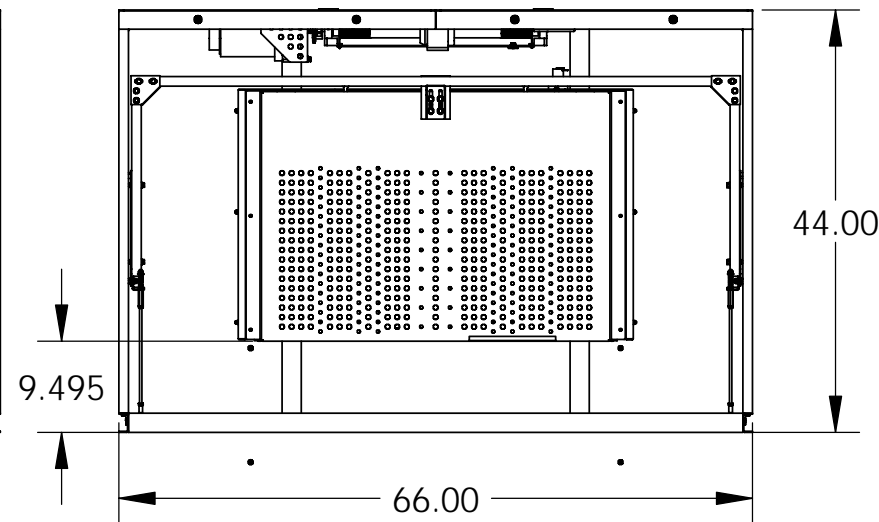


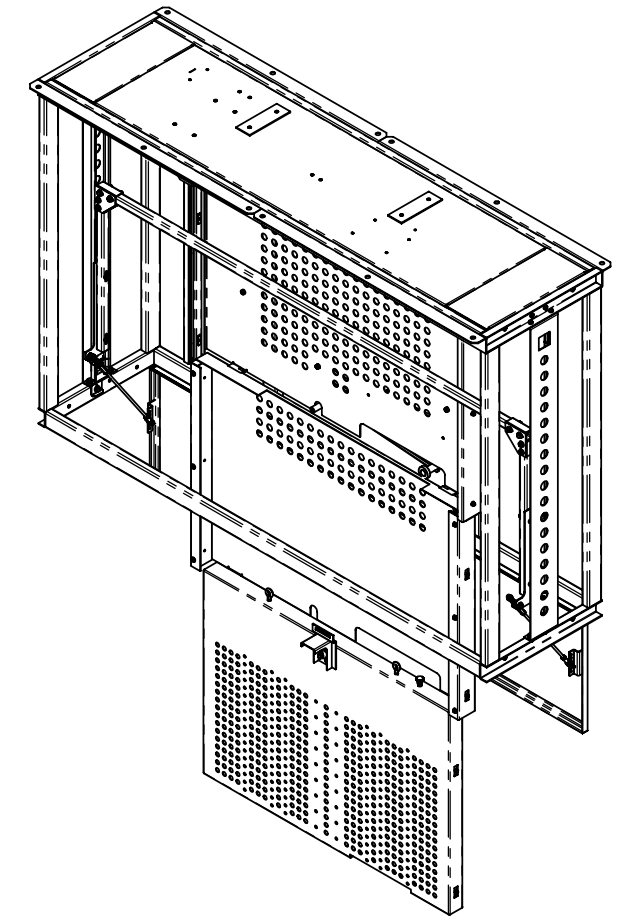
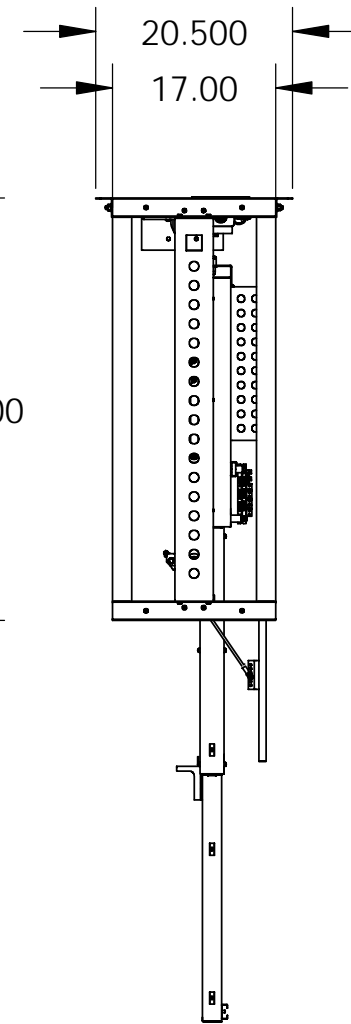
DRAWING REVISION BLOCK						
REV	ER	DESCRIPTION	DRAWN	CHECKED	APPROVED	DATE
A		RELEASED FOR PRODUCTION	JTW			3/31/2003



EXTENDED



RETRACTED



		DISPLAY DEVICES, INC 5880 SHERIDAN BLVD ARVADA, CO 80003				
		TITLE PL3060				
THE INFORMATION CONTAINED IN THIS DRAWING IS THE PROPERTY OF DISPLAY DEVICES, INC. ANY REPRODUCTION IN PART OR WHOLE WITHOUT THE WRITTEN PERMISSION OF DISPLAY DEVICES, INC IS PROHIBITED	UNLESS OTHERWISE SPECIFIED DIMENSIONS ARE IN INCHES. TOLERANCES: .XX = \pm .02 .XXX = \pm .010 .XXXX = \pm .0050 ANGLE = \pm 0.5	DRAWN JTW	DATE 3/31/2003	SIZE B	DRAWING NO. 406-001	REV A
MATERIAL SEE BOM		FINISH N/A		SCALE NONE	FILE NAME 406-001.SLDDRW	SHEET 1 OF 2