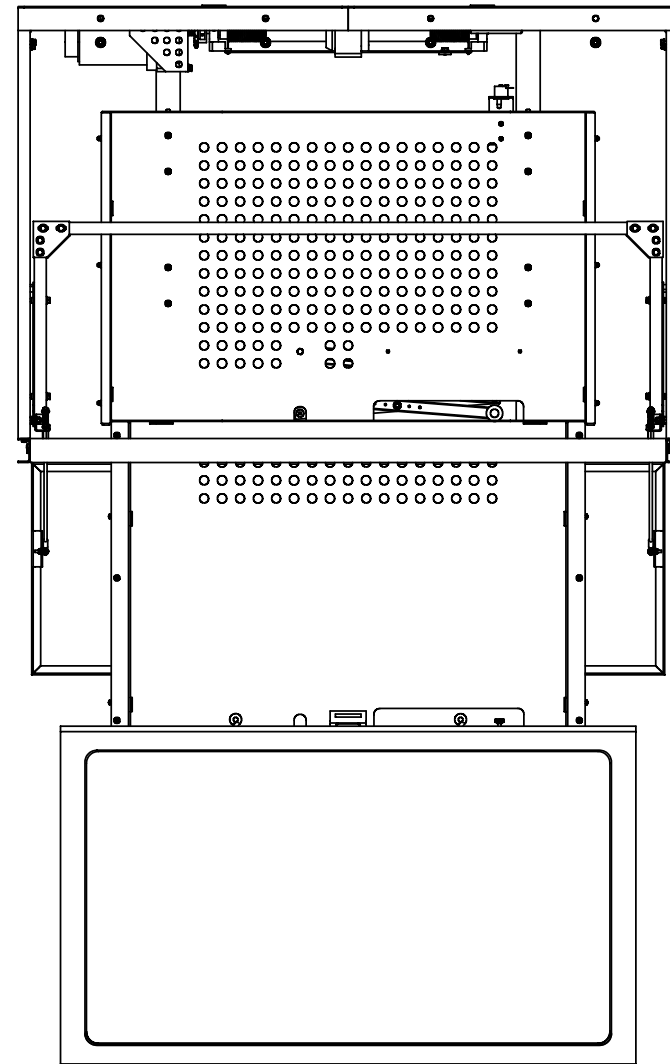
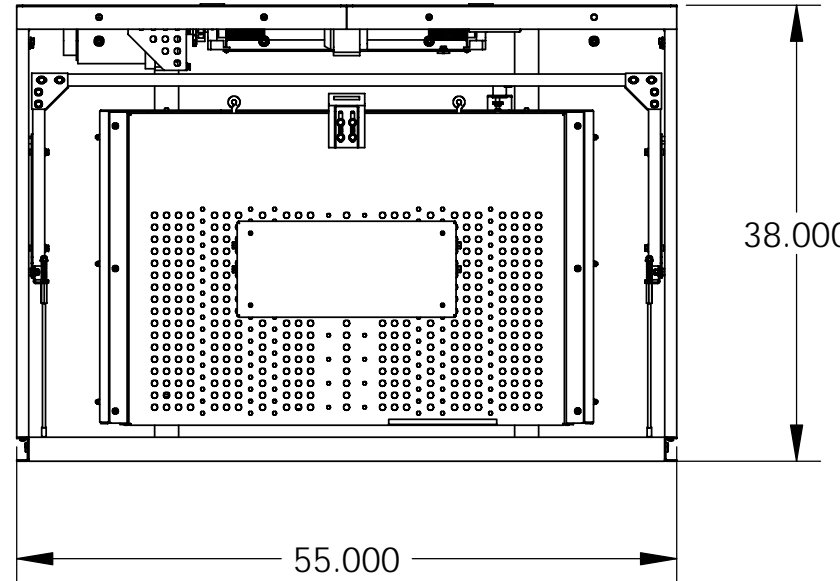


DRAWING REVISION BLOCK

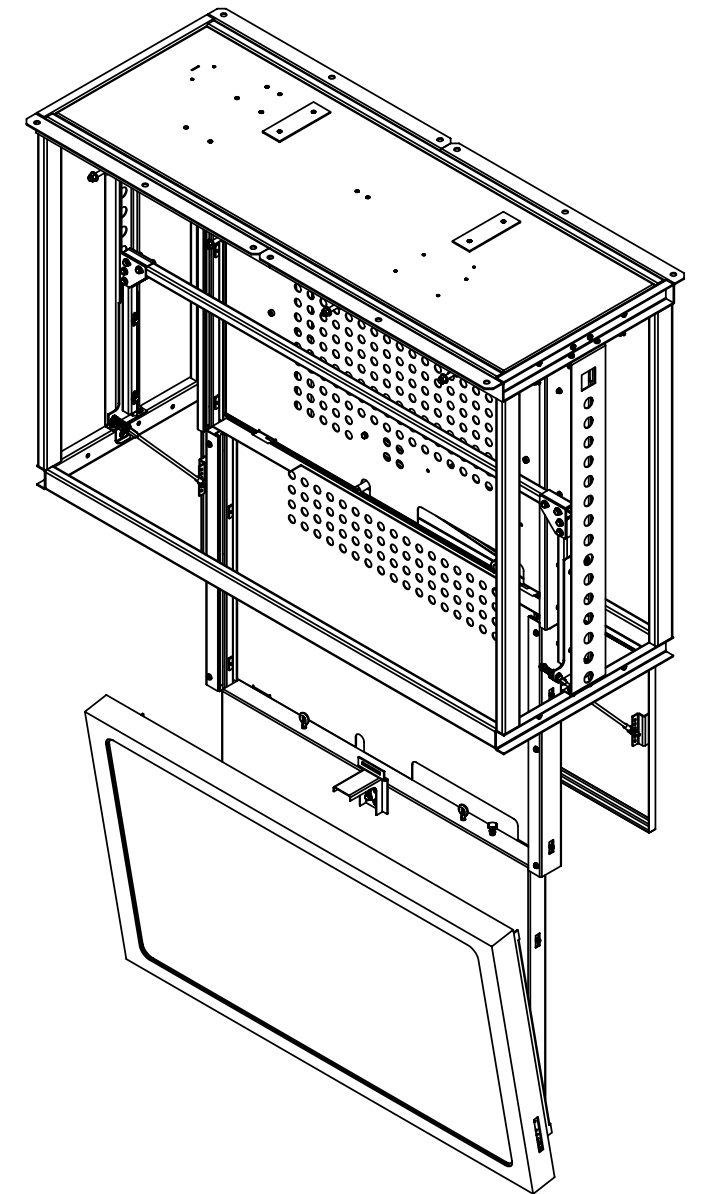
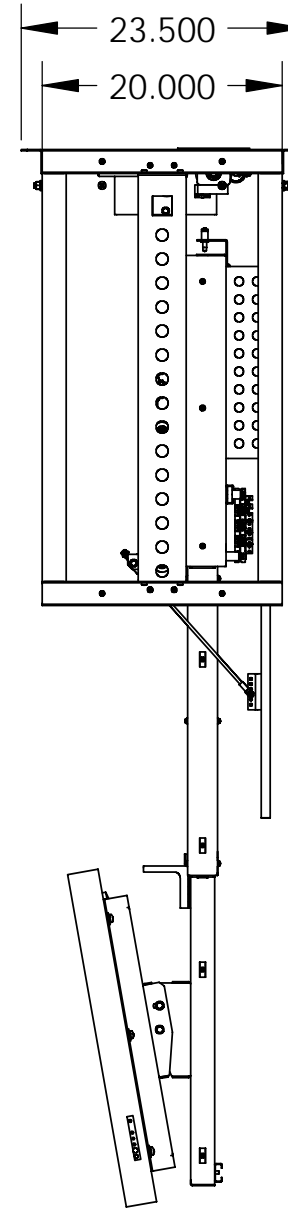
REV	ER	DESCRIPTION	DRAWN	CHECKED	APPROVED	DATE
B		38.00 WAS 36.00	JTW			10/17/2003




EXTENDED



RETRACTED



 THE INFORMATION CONTAINED IN THIS DRAWING IS THE PROPERTY OF DISPLAY DEVICES, INC. ANY REPRODUCTION IN PART OR WHOLE WITHOUT THE WRITTEN PERMISSION OF DISPLAY DEVICES, INC IS PROHIBITED		UNLESS OTHERWISE SPECIFIED DIMENSIONS ARE IN INCHES.  TOLERANCES: .XX = ± .02 .XXX = ± .010 .XXXX = ± .0050 ANGLE = ± 0.5		DISPLAY DEVICES, INC 5880 SHERIDAN BLVD ARVADA, CO 80003		
				TITLE PL3050		
DRAWN	JTW	DATE	2/10/2003	SIZE	DRAWING NO.	REV
CHECKED		DATE		<b>B</b>	404-001	<b>B</b>
MATERIAL	SEE BOM			SCALE	FILE NAME	SHEET 1 OF 2
FINISH	N/A			NONE	404-001.SLDDRW	