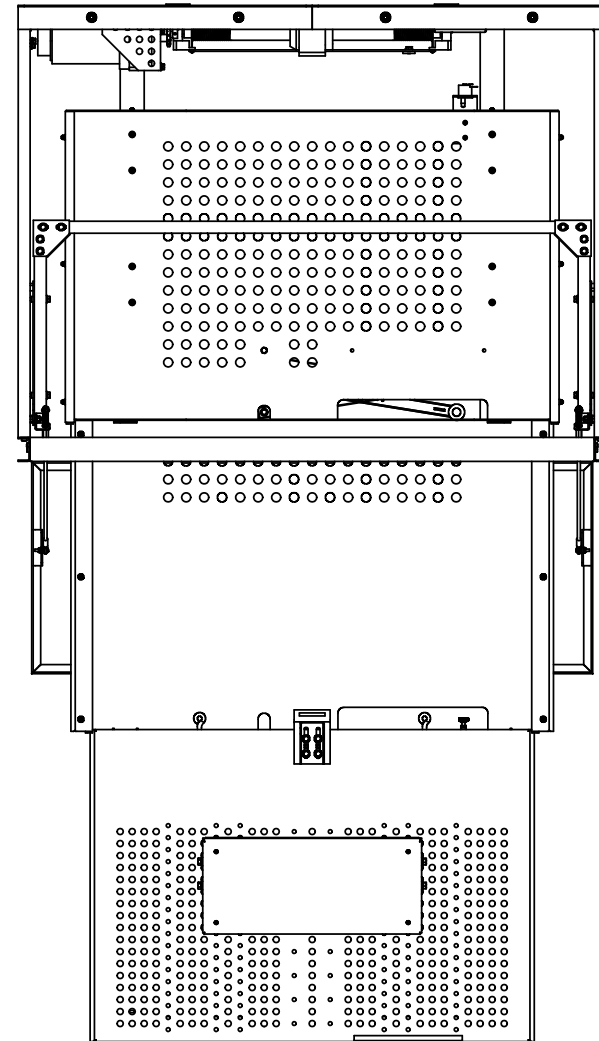
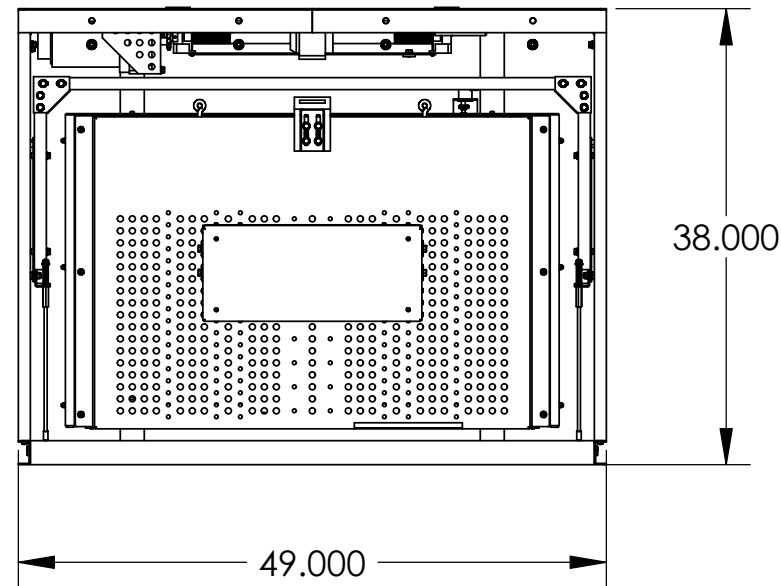


DRAWING REVISION BLOCK

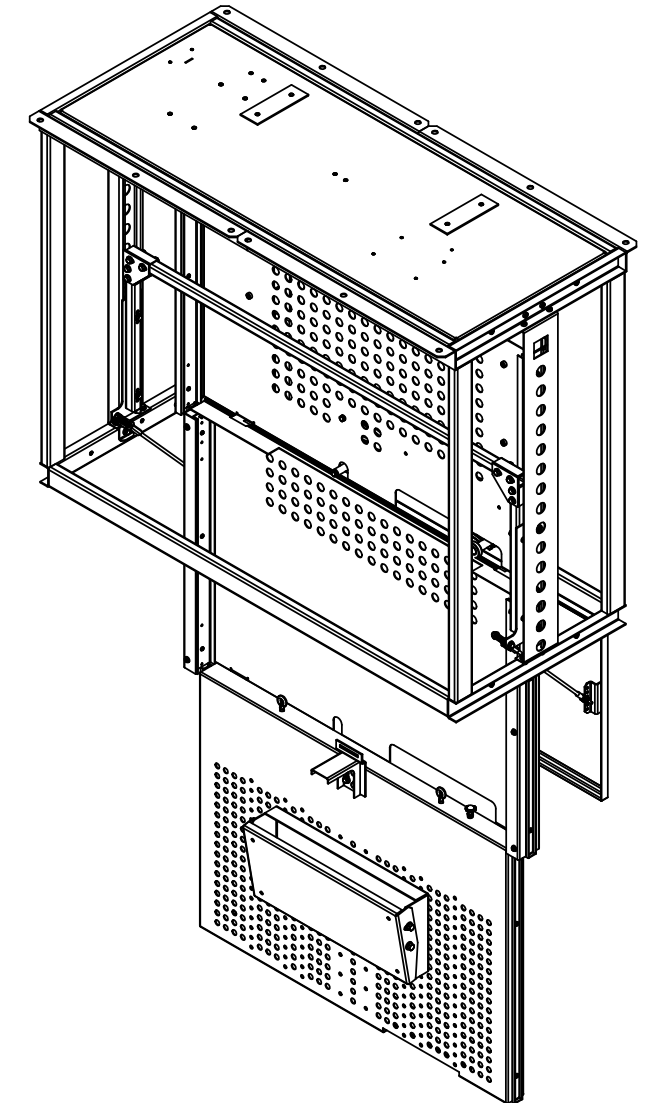
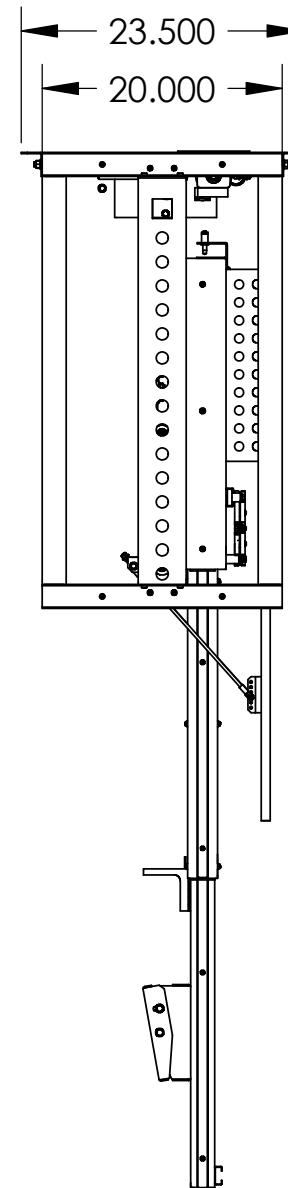
REV	ER	DESCRIPTION	DRAWN	CHECKED	APPROVED	DATE
A		INITIAL RELEASE	JTW			5/14/2003
B		38.00 WAS 36.00	JTW			10/17/2003
C	0310	UPDATED BOM	JTW			4/18/2005



EXTENDED



RETRACTED



DISPLAY DEVICES INC.

THE INFORMATION CONTAINED IN THIS DRAWING IS THE PROPERTY OF DISPLAY DEVICES, INC. ANY REPRODUCTION IN PART OR WHOLE WITHOUT THE WRITTEN PERMISSION OF DISPLAY DEVICES, INC IS PROHIBITED

UNLESS OTHERWISE SPECIFIED DIMENSIONS ARE IN INCHES.

TOLERANCES:

.XX = ± .02
.XXX = ± .010
.XXXX = ± .0050
ANGLE = ± 0.5

DISPLAY DEVICES, INC
5880 SHERIDAN BLVD
ARVADA, CO 80003

TITLE
PL3042

DRAWN JTW DATE 5/14/2003
CHECKED DATE

SIZE **B** DRAWING NO. 402-001 REV **C**

MATERIAL SEE BOM
FINISH N/A

SCALE NONE FILE NAME 402-001.SLDDRW SHEET 1 OF 2