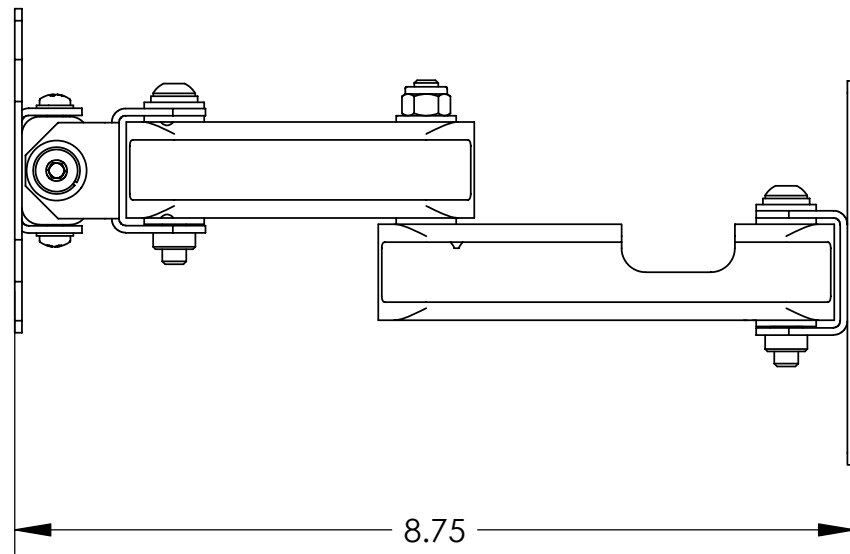


ISOMETRIC VIEW



EXTENDED

THE INFORMATION CONTAINED IN THIS DRAWING IS THE PROPERTY OF DISPLAY DEVICES, INC. ANY REPRODUCTION IN PART OR WHOLE WITHOUT THE WRITTEN PERMISSION OF DISPLAY DEVICES, INC IS PROHIBITED		UNLESS OTHERWISE SPECIFIED DIMENSIONS ARE IN INCHES. TOLERANCES: .XX = ± .02 .XXX = ± .010 .XXXX = ± .0050 ANGLE = ± 0.5		DISPLAY DEVICES 5880 SHERIDAN BLVD ARVADA, CO 80003	
DRAWN RLS CHECKED MATERIAL NONE FINISH NONE		DATE 8/8/2005 DATE NONE		TITLE VESA WALL MOUNT TILT, SWIVEL, PAN, 9" EXT	
DRAWING NO. 4-040 SIZE B		REV A		FILE NAME 4-040.SLDDRW SCALE NONE SHEET 2 OF 2	