

**DISPLAY  
DEVICES  
INC.**

THE INFORMATION CONTAINED  
IN THIS DRAWING IS THE  
PROPERTY OF DISPLAY  
DEVICES, INC. ANY  
REPRODUCTION IN PART  
OR WHOLE WITHOUT THE  
WRITTEN PERMISSION OF  
DISPLAY DEVICES, INC IS  
PROHIBITED

UNLESS OTHERWISE SPECIFIED  
DIMENSIONS ARE IN INCHES.

TOLERANCES:

.XX = ± .02  
.XXX = ± .010  
.XXXX = ± .0050  
ANGLE = ± 0.5

**DISPLAY DEVICES, INC**  
5880 SHERIDAN BLVD  
ARVADA, CO 80003

TITLE

**2424 MINI DATALITE 110V**

DRAWN

RLS

DATE

9/8/2004

CHECKED

DATE

MATERIAL

NONE

FINISH

NONE

SIZE

**B**

DRAWING NO.

25-100

REV

**B**

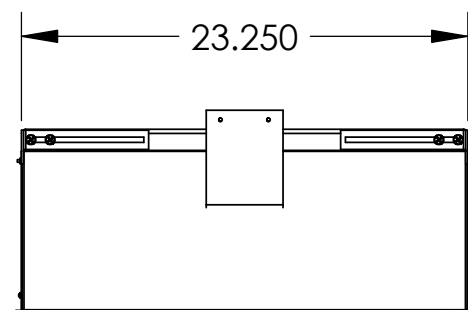
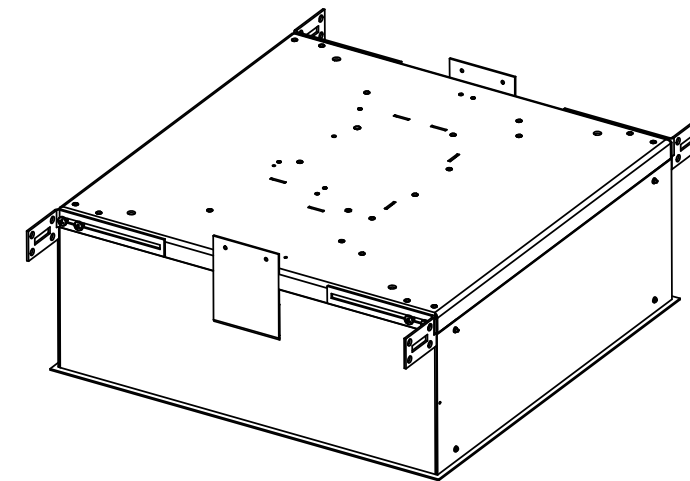
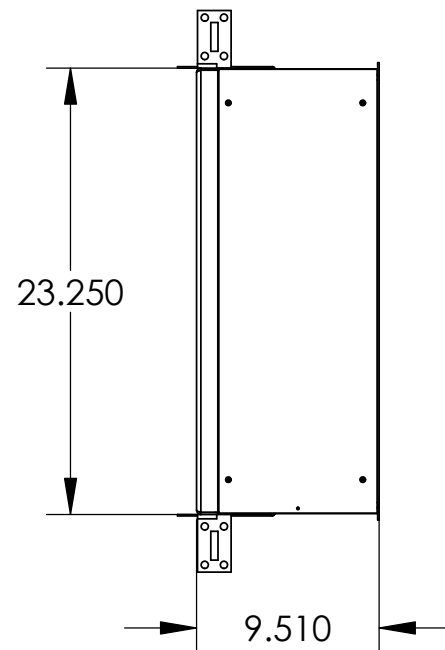
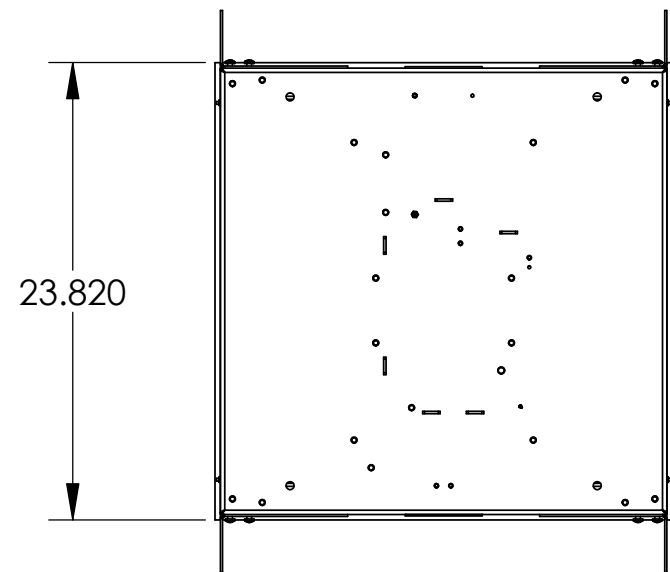
SCALE

NONE

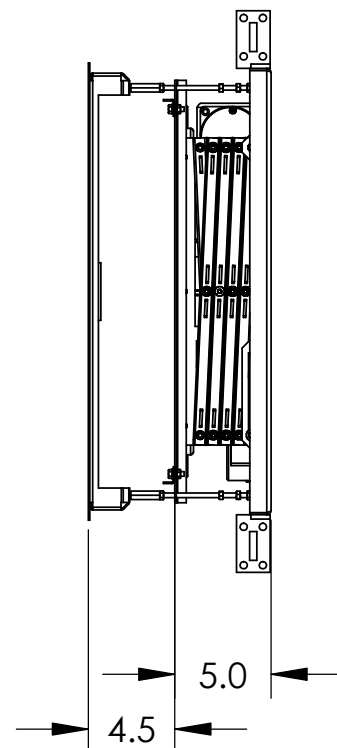
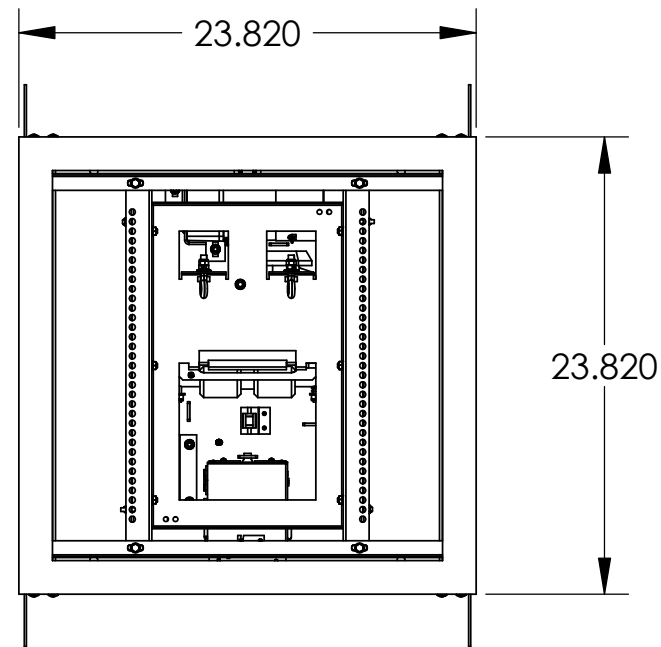
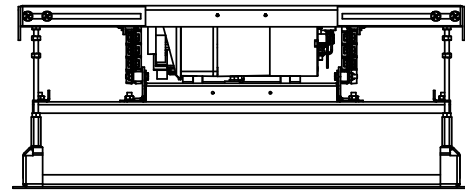
FILE NAME

25-100.SLDDRW

SHEET 2 OF 4



<b>DISPLAY DEVICES INC.</b>		<b>DISPLAY DEVICES, INC</b> 5880 SHERIDAN BLVD ARVADA, CO 80003		
THE INFORMATION CONTAINED IN THIS DRAWING IS THE PROPERTY OF DISPLAY DEVICES, INC. ANY REPRODUCTION IN PART OR WHOLE WITHOUT THE WRITTEN PERMISSION OF DISPLAY DEVICES, INC IS PROHIBITED.		UNLESS OTHERWISE SPECIFIED DIMENSIONS ARE IN INCHES.  <b>TOLERANCES:</b> .XX = ± .02 .XXX = ± .010 .XXXX = ± .0050 ANGLE = ± 0.5		TITLE
				2424 MINI DATALITE 110V
DRAWN	RLS	DATE	9/8/2004	SIZE
CHECKED		DATE		<b>B</b>
MATERIAL		NONE		DRAWING NO.
FINISH		NONE		25-100
				REV
				<b>B</b>
		SCALE	NONE	FILE NAME
				25-100.SLDDRW
				SHEET 3 OF 4



**DISPLAY DEVICES INC.**

THE INFORMATION CONTAINED IN THIS DRAWING IS THE PROPERTY OF DISPLAY DEVICES, INC. ANY REPRODUCTION IN PART OR WHOLE WITHOUT THE WRITTEN PERMISSION OF DISPLAY DEVICES, INC IS PROHIBITED

UNLESS OTHERWISE SPECIFIED DIMENSIONS ARE IN INCHES.

TOLERANCES:

.XX = ± .02  
.XXX = ± .010  
.XXXX = ± .0050  
ANGLE = ± 0.5

**DISPLAY DEVICES, INC**  
5880 SHERIDAN BLVD  
ARVADA, CO 80003

**2424 MINI DATALITE 110V**

DRAWN	RLS	DATE	9/8/2004
CHECKED		DATE	
MATERIAL	NONE		
FINISH	NONE		

SIZE	DRAWING NO.	REV
<b>B</b>	25-100	<b>B</b>
SCALE	FILE NAME	SHEET 4 OF 4
NONE	25-100.SLDDRW	