

**DISPLAY
DEVICES
INC.**

THE INFORMATION CONTAINED
IN THIS DRAWING IS THE
PROPERTY OF DISPLAY
DEVICES, INC. ANY
REPRODUCTION IN PART
OR WHOLE WITHOUT THE
WRITTEN PERMISSION OF
DISPLAY DEVICES, INC IS
PROHIBITED

UNLESS OTHERWISE SPECIFIED
DIMENSIONS ARE IN INCHES.

TOLERANCES:

.XX = ± .02
.XXX = ± .010
.XXXX = ± .0050
ANGLE = ± 0.5

DISPLAY DEVICES, INC
5880 SHERIDAN BLVD
ARVADA, CO 80003

TITLE
MINI DATALITE 110V

DRAWN RLS DATE 10/1/2003

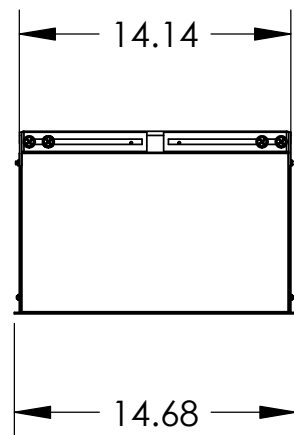
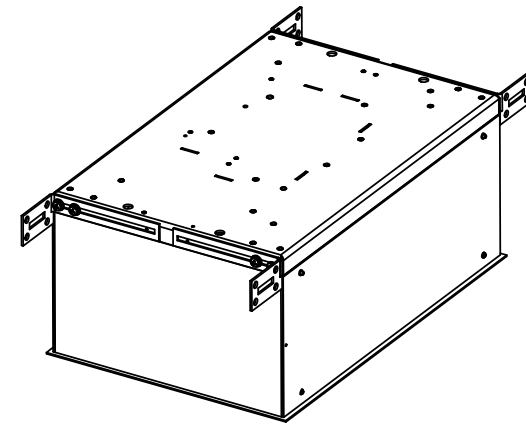
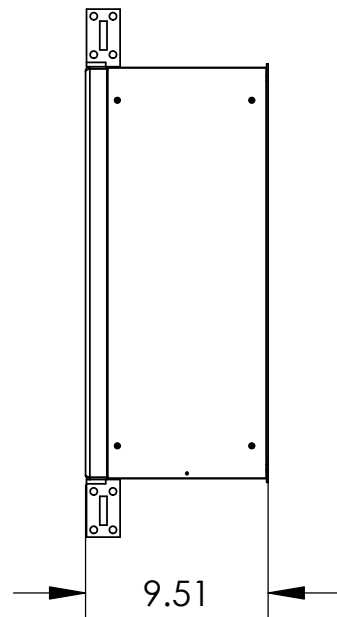
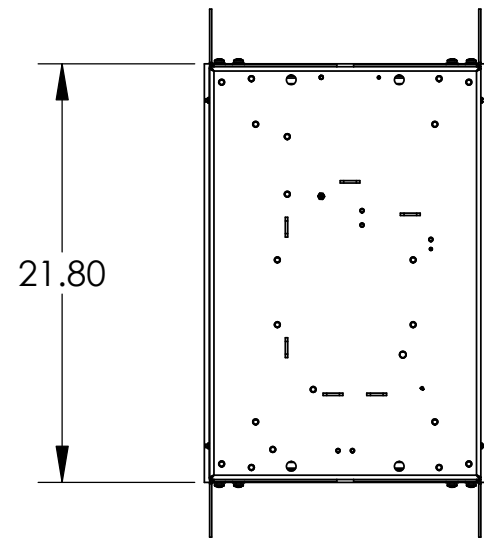
CHECKED DATE


MATERIAL NONE

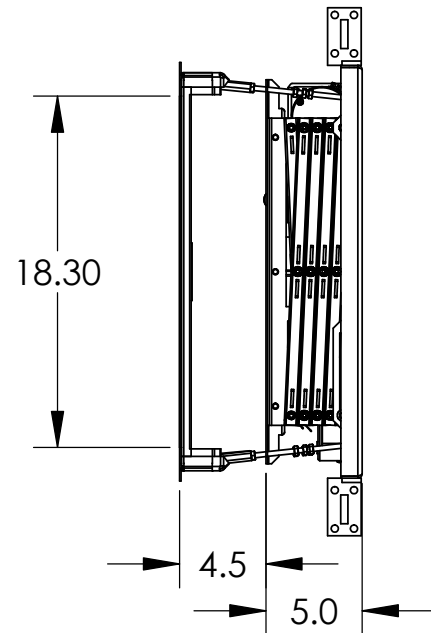
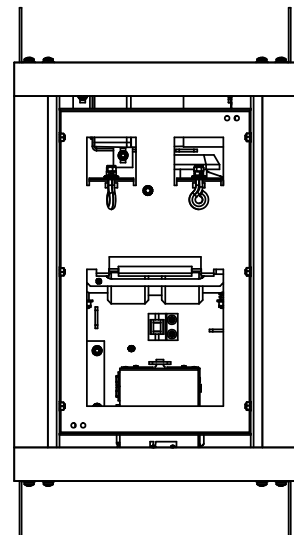
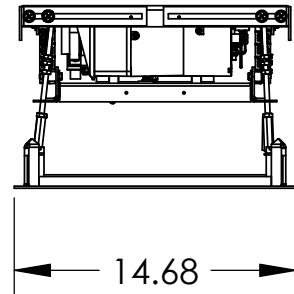
FINISH NONE

SIZE B DRAWING NO. 25-001 REV D

SCALE NONE FILE NAME 25-001.SLDDRW SHEET 2 OF 4



		DISPLAY DEVICES, INC 5880 SHERIDAN BLVD ARVADA, CO 80003		
THE INFORMATION CONTAINED IN THIS DRAWING IS THE PROPERTY OF DISPLAY DEVICES, INC. ANY REPRODUCTION IN PART OR WHOLE WITHOUT THE WRITTEN PERMISSION OF DISPLAY DEVICES, INC IS PROHIBITED		UNLESS OTHERWISE SPECIFIED DIMENSIONS ARE IN INCHES. TOLERANCES: .XX = ± .02 .XXX = ± .010 .XXXX = ± .0050 ANGLE = ± 0.5		MINI DATALITE 110V
DRAWN	RLS	DATE	10/1/2003	DRAWING NO.
CHECKED		DATE		25-001
MATERIAL	NONE			REV
FINISH	NONE			D
SCALE		FILE NAME		SHEET 3 OF 4
B		NONE		25-001.SLDDRW



DISPLAY DEVICES INC.

THE INFORMATION CONTAINED IN THIS DRAWING IS THE PROPERTY OF DISPLAY DEVICES, INC. ANY REPRODUCTION IN PART OR WHOLE WITHOUT THE WRITTEN PERMISSION OF DISPLAY DEVICES, INC IS PROHIBITED

UNLESS OTHERWISE SPECIFIED DIMENSIONS ARE IN INCHES.

TOLERANCES:

.XX = ± .02
 .XXX = ± .010
 .XXXX = ± .0050
 ANGLE = ± 0.5

DISPLAY DEVICES, INC
 5880 SHERIDAN BLVD
 ARVADA, CO 80003

TITLE
MINI DATALITE 110V

DRAWN	RLS	DATE	10/1/2003
CHECKED		DATE	

SIZE	DRAWING NO.	REV
B	25-001	D

MATERIAL	NONE
FINISH	NONE

SCALE	FILE NAME	SHEET
NONE	25-001.SLDDRW	4 OF 4