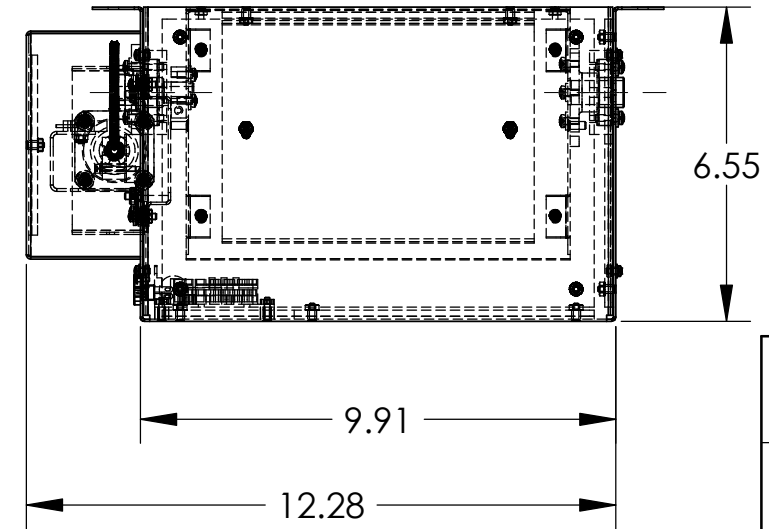
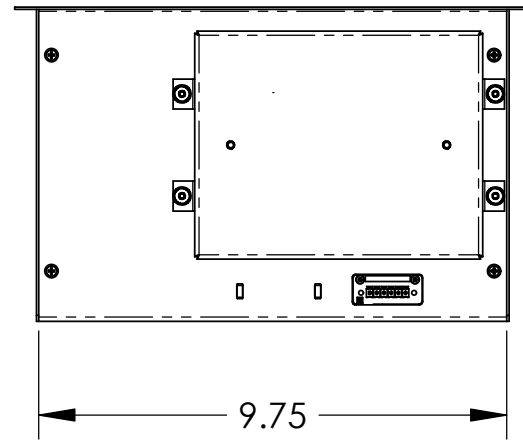
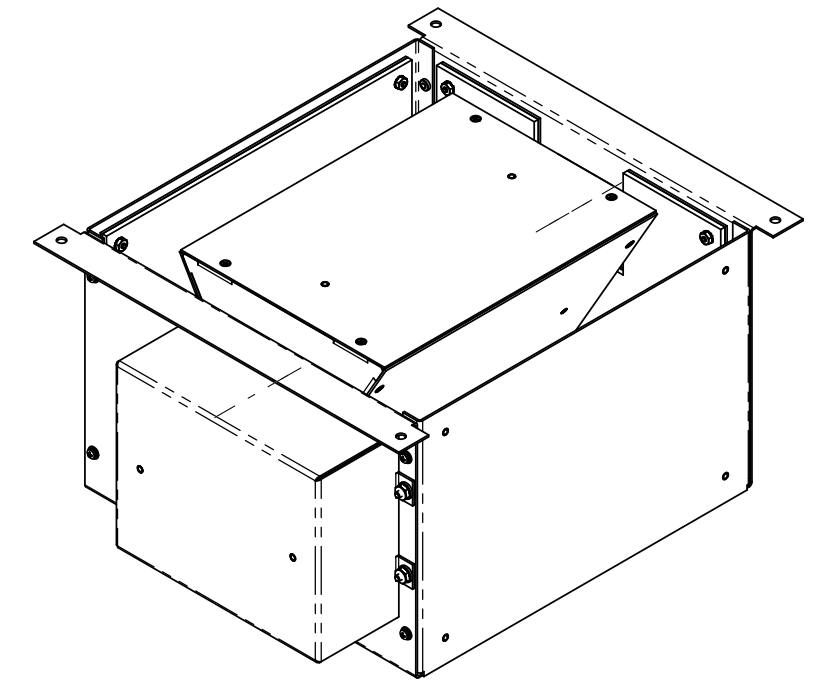
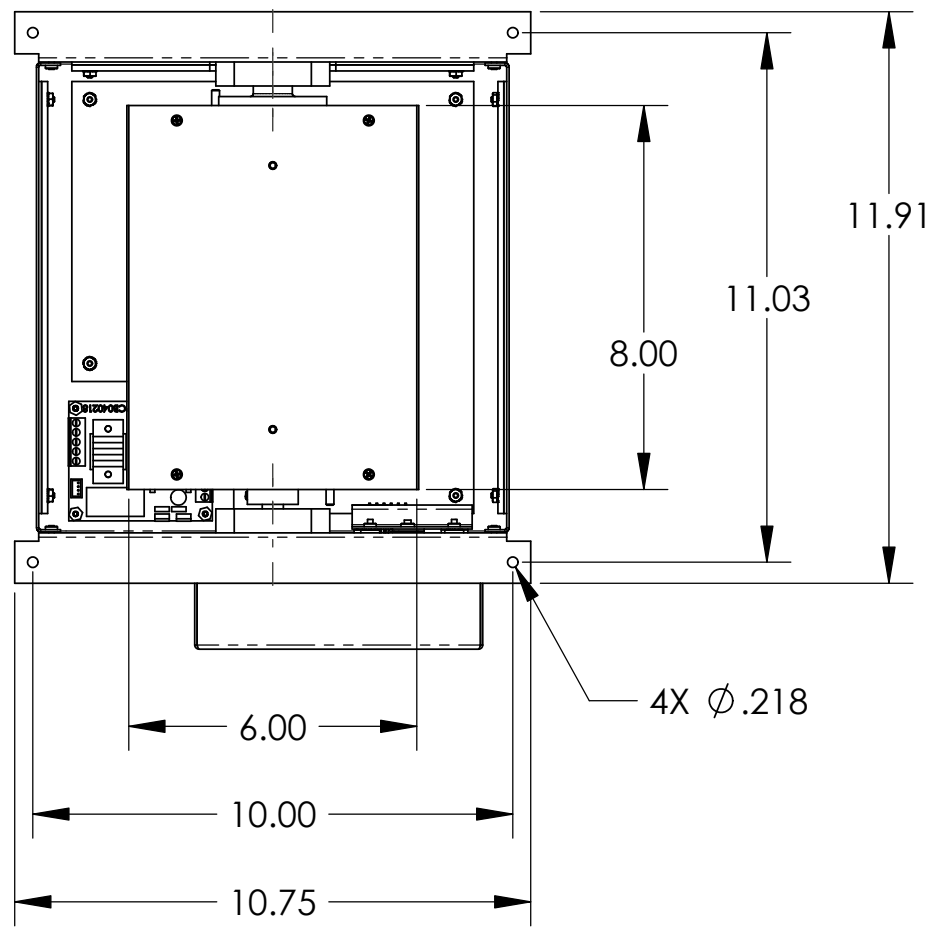


DRAWING REVISION BLOCK						
REV	ER	DESCRIPTION	DRAWN	CHECKED	APPROVED	DATE
A		RELEASED FOR PRODUCTION	JTW			9/22/2004
B	0273	VARIOUS DESIGN UPDATES, SEE ECO	JTW			1/20/2005



		DISPLAY DEVICES, INC 5880 SHERIDAN BLVD ARVADA, CO 80003				
		TITLE MFD 100				
THE INFORMATION CONTAINED IN THIS DRAWING IS THE PROPERTY OF DISPLAY DEVICES, INC. ANY REPRODUCTION IN PART OR WHOLE WITHOUT THE WRITTEN PERMISSION OF DISPLAY DEVICES, INC IS PROHIBITED	UNLESS OTHERWISE SPECIFIED DIMENSIONS ARE IN INCHES. TOLERANCES: .XX = ± .02 .XXX = ± .010 .XXXX = ± .0050 ANGLE = ± 0.5	DRAWN JTW	DATE 5/12/2004	SIZE B	DRAWING NO. 24-027	REV B
MATERIAL SEE BOM		FINISH NONE		SCALE NONE	FILE NAME 24-027.SLDDRW	SHEET 1 OF 4

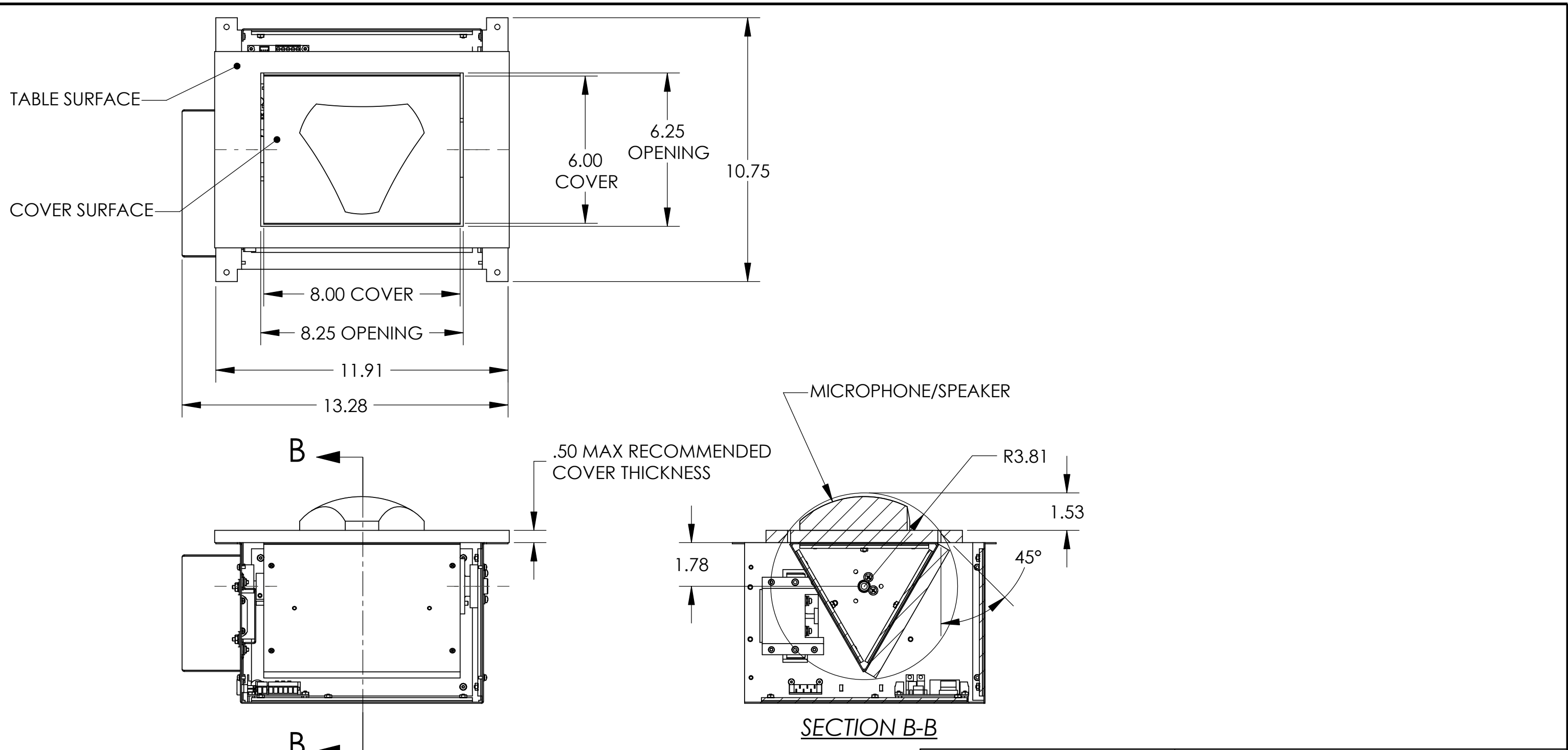


TABLE CUTOUT GUIDELINES

		DISPLAY DEVICES, INC 5880 SHERIDAN BLVD ARVADA, CO 80003		
		TITLE <p style="text-align: center;">MFD 100</p>		
THE INFORMATION CONTAINED IN THIS DRAWING IS THE PROPERTY OF DISPLAY DEVICES, INC. ANY REPRODUCTION IN PART OR WHOLE WITHOUT THE WRITTEN PERMISSION OF DISPLAY DEVICES, INC IS PROHIBITED	UNLESS OTHERWISE SPECIFIED DIMENSIONS ARE IN INCHES. TOLERANCES: .XX = ± .02 .XXX = ± .010 .XXXX = ± .0050 ANGLE = ± 0.5	SIZE <p style="font-size: 2em; font-weight: bold;">B</p>	DRAWING NO. <p style="font-size: 1.5em;">24-027</p>	REV <p style="font-size: 1.5em;">B</p>
DRAWN <p style="text-align: center;">JTW</p>	DATE <p style="text-align: center;">5/12/2004</p>	SCALE <p style="text-align: center;">NONE</p>	FILE NAME <p style="text-align: center;">24-027.SLDDRW</p>	SHEET 4 OF 4