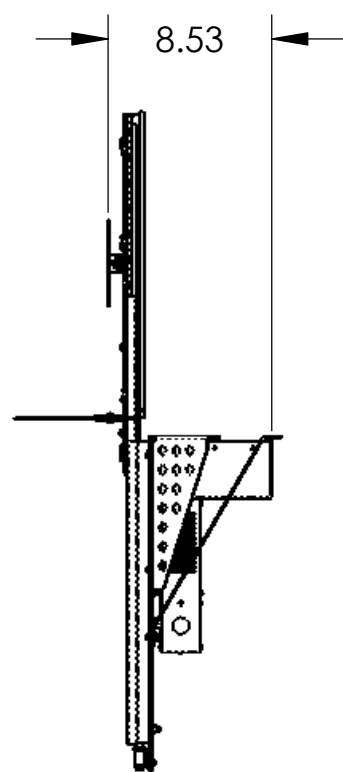
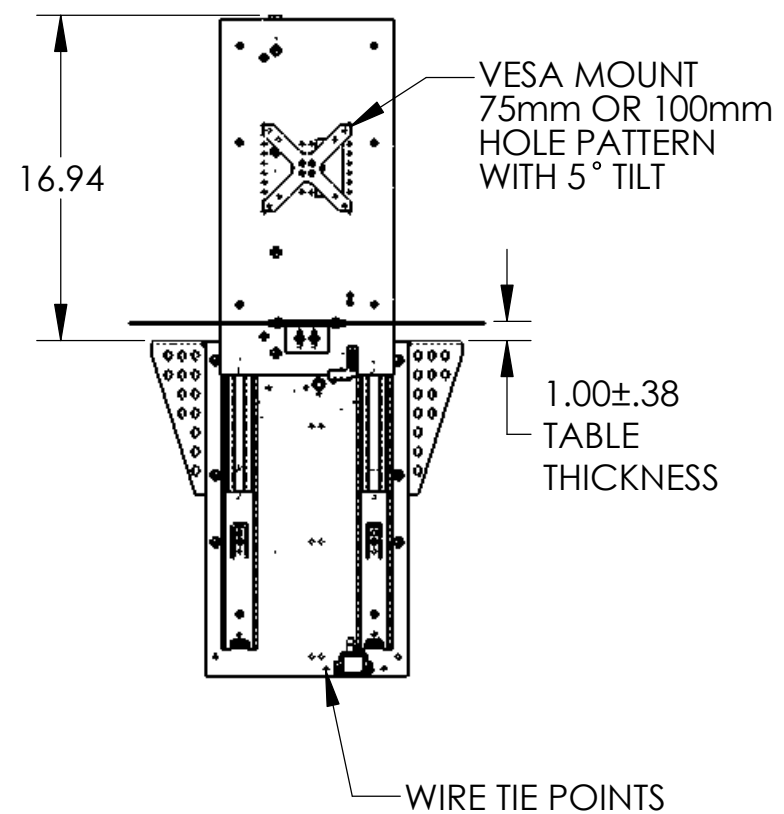
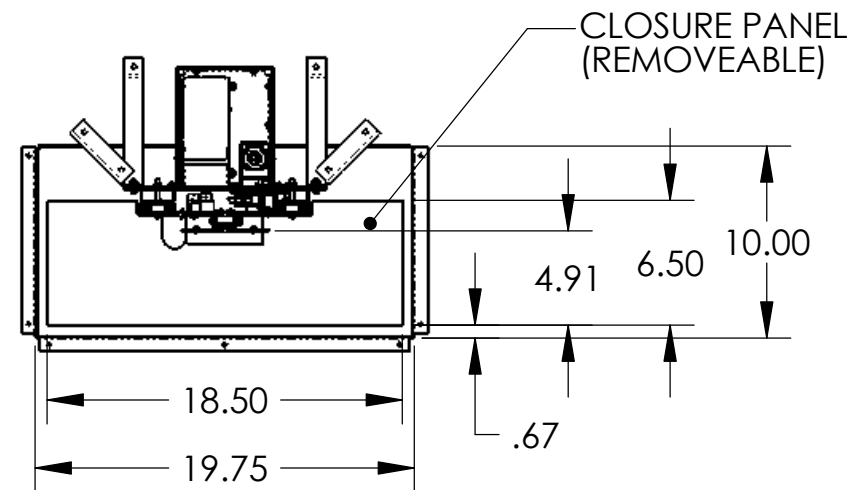
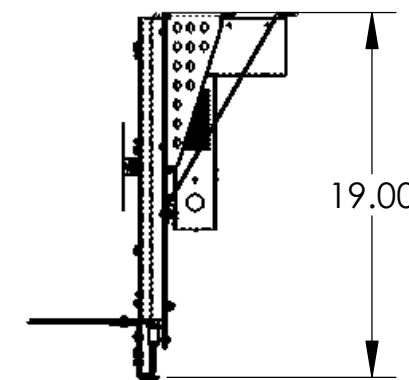


DRAWING REVISION BLOCK						
REV	ER	DESCRIPTION	DRAWN	CHECKED	APPROVED	DATE
A		RELEASED FOR PRODUCTION	JTW			10/20/2004
B	0271	ADDED ITEMS 42,44,45,46	JTW			1/17/2005
C	0283	ADDED ITEM 47 INSULATING BUSHING AND WIRE TIE DOWN POINT	JTW			2/10/2005



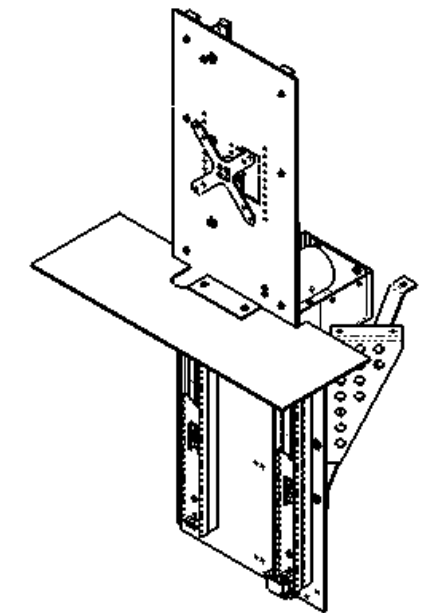
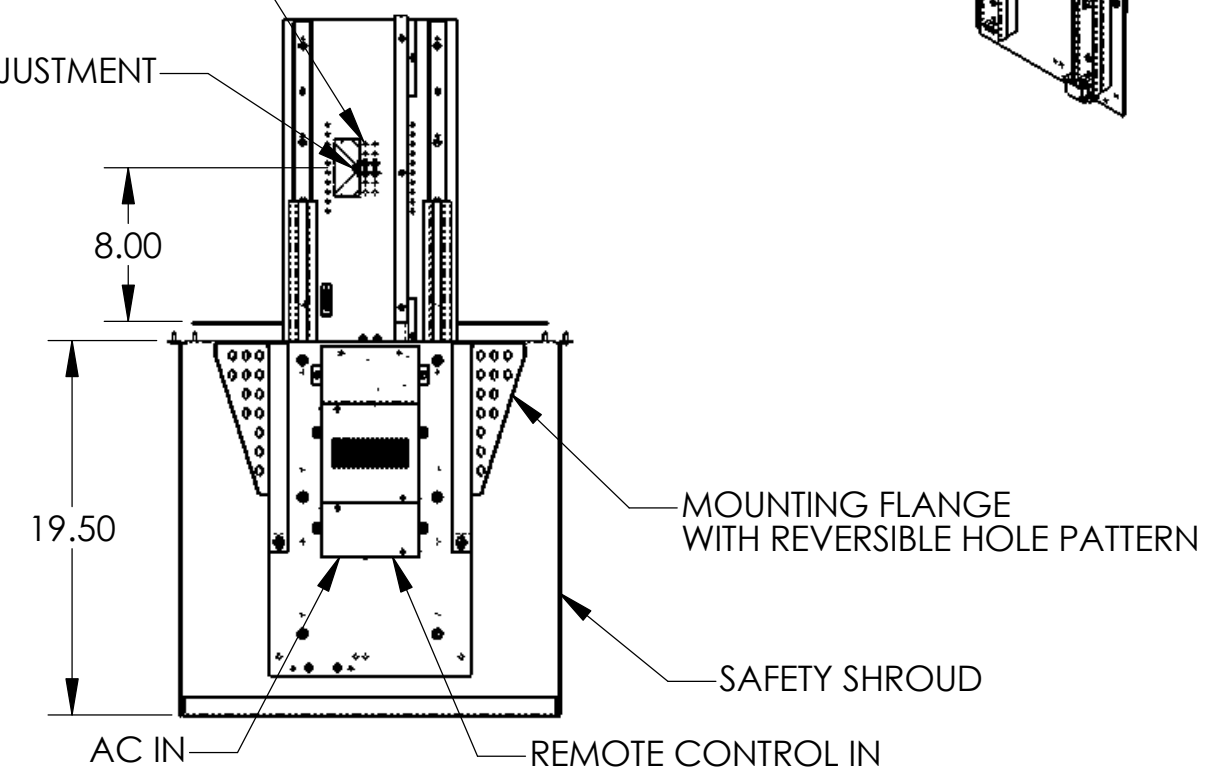
SIDE VIEW EXTENDED



SIDE VIEW RETRACTED

MOUNTING HOLE PATTERN
.50" INCREMENTS

TILT ADJUSTMENT



DISPLAY DEVICES INC.	
THE INFORMATION CONTAINED IN THIS DRAWING IS THE PROPERTY OF DISPLAY DEVICES, INC. ANY REPRODUCTION IN PART OR WHOLE WITHOUT THE WRITTEN PERMISSION OF DISPLAY DEVICES, INC IS PROHIBITED	UNLESS OTHERWISE SPECIFIED DIMENSIONS ARE IN INCHES. TOLERANCES: .XX = ± .02 .XXX = ± .010 .XXXX = ± .0050 ANGLE = ± 0.5
DRAWN JTW	DATE 10/10/2004
CHECKED	DATE
MATERIAL SEE BOM	
FINISH NONE	

DISPLAY DEVICES, INC			
5880 SHERIDAN BLVD ARVADA, CO 80003			
TITLE TFT 70			
SIZE B	DRAWING NO. 18-310	REV C	
SCALE NONE	FILE NAME 18-310.SLDDRW	SHEET 1 OF 2	