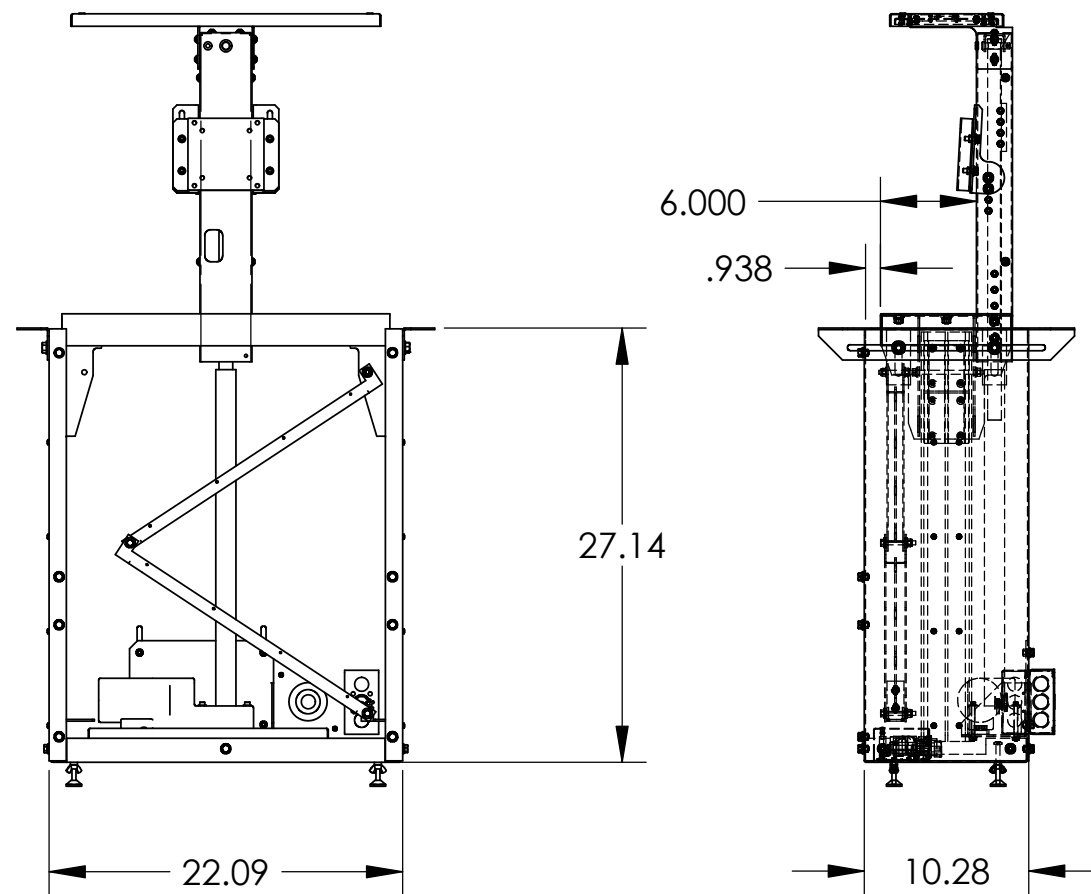
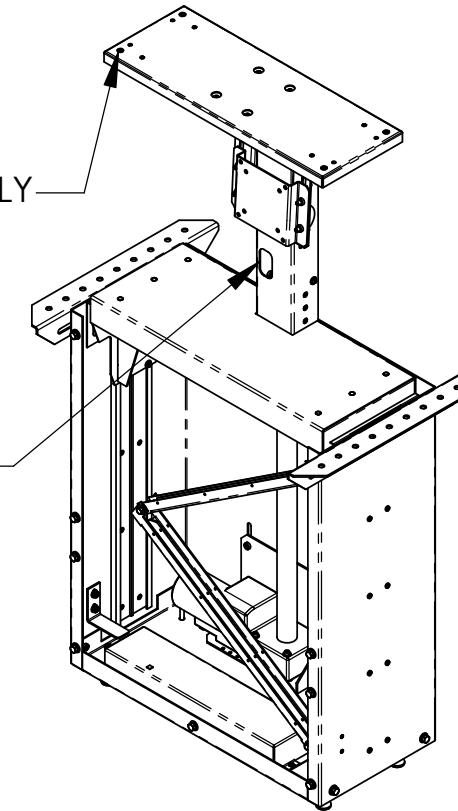


DRAWING REVISION BLOCK						
REV	ER	DESCRIPTION	DRAWN	CHECKED	APPROVED	DATE
A		RELEASED FOR PRODUCTION	JTW			9/3/2002
B	0276	ADDED ITEM 83	JTW			1/25/2005
C	0290	CORRECTED PN.S FOR ITEMS 50,58,73	RLS			3/9/2005

4X #6-32 RIVNUT AT ASSEMBLY

FLEX EDGING 4600-1420



		DISPLAY DEVICES, INC 5880 SHERIDAN BLVD ARVADA, CO 80003				
		TITLE TFT LIFT 17"H X 20"W X 4"THK MAX				
THE INFORMATION CONTAINED IN THIS DRAWING IS THE PROPERTY OF DISPLAY DEVICES, INC. ANY REPRODUCTION IN PART OR WHOLE WITHOUT THE WRITTEN PERMISSION OF DISPLAY DEVICES, INC IS PROHIBITED	UNLESS OTHERWISE SPECIFIED DIMENSIONS ARE IN INCHES. TOLERANCES: .XX = ± .02 .XXX = ± .010 .XXXX = ± .0050 ANGLE = ± 0.5	DRAWN JTW DATE 7/4/2002	DATE 7/4/2002	SIZE B	DRAWING NO. 18-100	REV C
MATERIAL N/A		FINISH N/A		SCALE NONE	FILE NAME 18-100.SLDDRW	SHEET 1 OF 3