

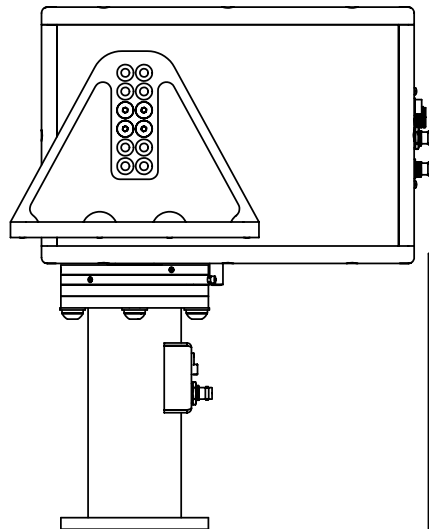
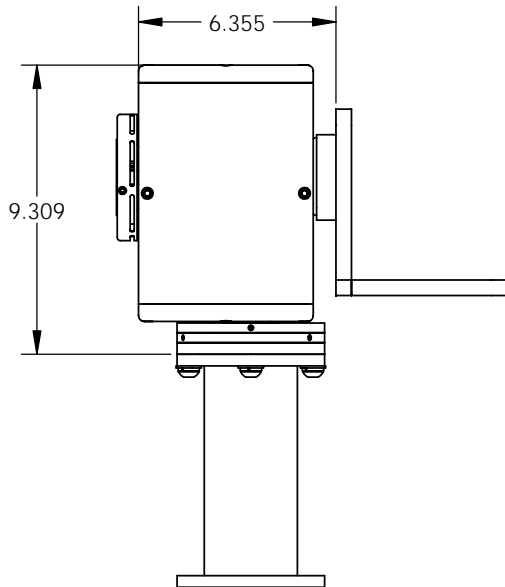
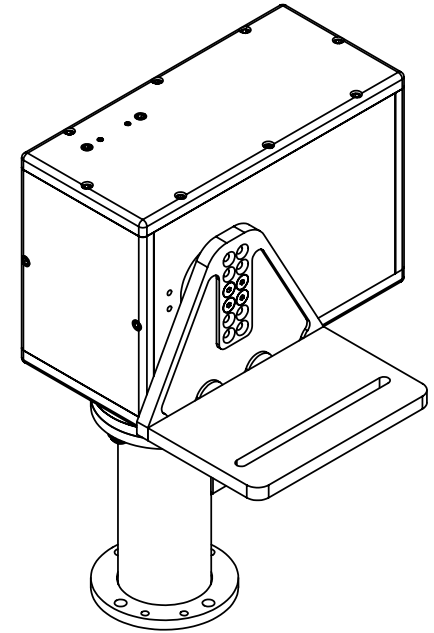
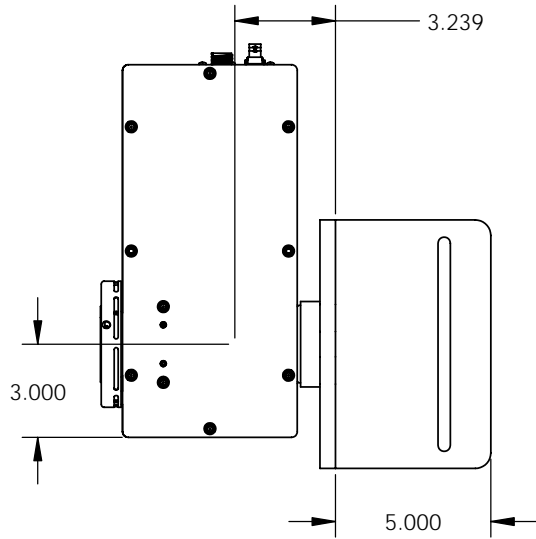
ISOMETRIC VIEW

DRAWING REVISION BLOCK

REV	ECO	DESCRIPTION	DRAWN	CHECKED	APPROVED	DATE
AX1	-	RELEASE FOR PROTOTYPE	CDO			2/4/2008
AX2	-	ADD O-RING AND COVER PLATE	CDO			2/21/2008
AX3	-	ADD STOPS FOR PAN AND TILT	CDO			5/28/2008

ITEM NO	QTY	PART NO	DESCRIPTION
1	1	100-052	PT-220 POLE - 10"
2	1	138-002	COMPLETE DRIVE UNIT ASSEM
3	1	100-100	CAMERA MOUNT FOR PT-220
4	1	140-084	TILT ADAPTER RING-PT-300
5	1	140-085	TILT ADAPTER RING LEFT
6	2	140-086	TRIP COLLAR
7	1	138-010	OUTER TRIP COLLAR
8	1	138-011	INNER TRIP COLLAR
9	2	138-012	STOP
10	1	140-076	BOTTOM ADPTR TO 12IN POLE
11	1	5800-12550	O-RING - 2.5 OD
12	1		O-RING - 2.125 OD
13	4	TBD	O-RING
14	4	5950-10250	3/8" FLAT WASHER-STAINLESS STEEL
15	4	5950-10750	3/8" LOCK WASHER-STAINLESS STEEL
16	4	5900-39100	3/8-16 X 3/4" BHCS-STAINLESS TEEL
17	6	5900-31600	10-32 X 3/4", SHCS, HX, SS
18	4	5900-19450	1/4-20 X 3/4 SHCS-STAINLESS STEEL
19	4	5900-38800	1/4-20 X 1-1/2", FHCS, HX, SS
20	2	5950-15000	#10, LK WASHER, SS, SPLIT
21	10	5900-32950	8-32 X 1/4, SS CUP, HX, STL, BO
22	2		6-32 X 3/8, SHCS, HX, GR8, BO

THE INFORMATION CONTAINED IN THIS DRAWING IS THE PROPERTY OF DISPLAY DEVICES, INC. ANY REPRODUCTION IN PART OR WHOLE WITHOUT THE WRITTEN PERMISSION OF DISPLAY DEVICES, INC IS PROHIBITED.		UNLESS OTHERWISE SPECIFIED DIMENSIONS ARE IN INCHES. TOLERANCES: .XX = ± .02 .XXX = ± .010 .XXXX = ± .0050 ANGLE = ± 0.5		<b>DISPLAY DEVICES</b> 5880 SHERIDAN BLVD ARVADA, CO 80003	
DRAWN CDO		DATE 6/2/2008		TITLE PT250 CMPLT ASSEM	
CHECKED		DATE		SIZE B	
MATERIAL NONE		SCALE NONE		DRAWING NO. 138-001	
FINISH NONE		FILE NAME 138-001.SLDDRW		REV AX2	
				SHEET 1 OF 2	



THE INFORMATION CONTAINED IN THIS DRAWING IS THE PROPERTY OF DISPLAY DEVICES, INC. ANY REPRODUCTION IN PART OR WHOLE WITHOUT THE WRITTEN PERMISSION OF DISPLAY DEVICES, INC IS PROHIBITED.		UNLESS OTHERWISE SPECIFIED DIMENSIONS ARE IN INCHES. TOLERANCES: .XX = ± .02 .XXX = ± .010 .XXXX = ± .0050 ANGLE = ± 0.5		<b>DISPLAY DEVICES</b> 5880 SHERIDAN BLVD ARVADA, CO 80003	
DRAWN		DATE		TITLE	
CDO		6/2/2008		PT250 CMPLT ASSEM	
CHECKED		DATE		DRAWING NO.	
				B 138-001	
MATERIAL		SCALE		FILE NAME	
NONE		NONE		138-001.SLDDRW	
FINISH				REV	
NONE				AX2	
				SHEET 2 OF 2	