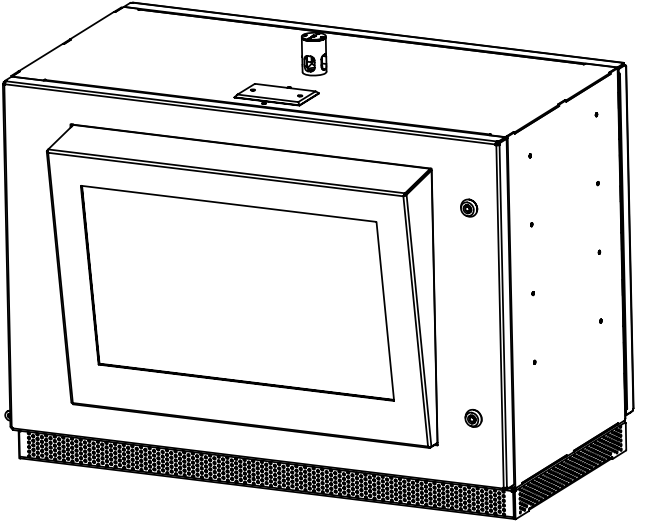
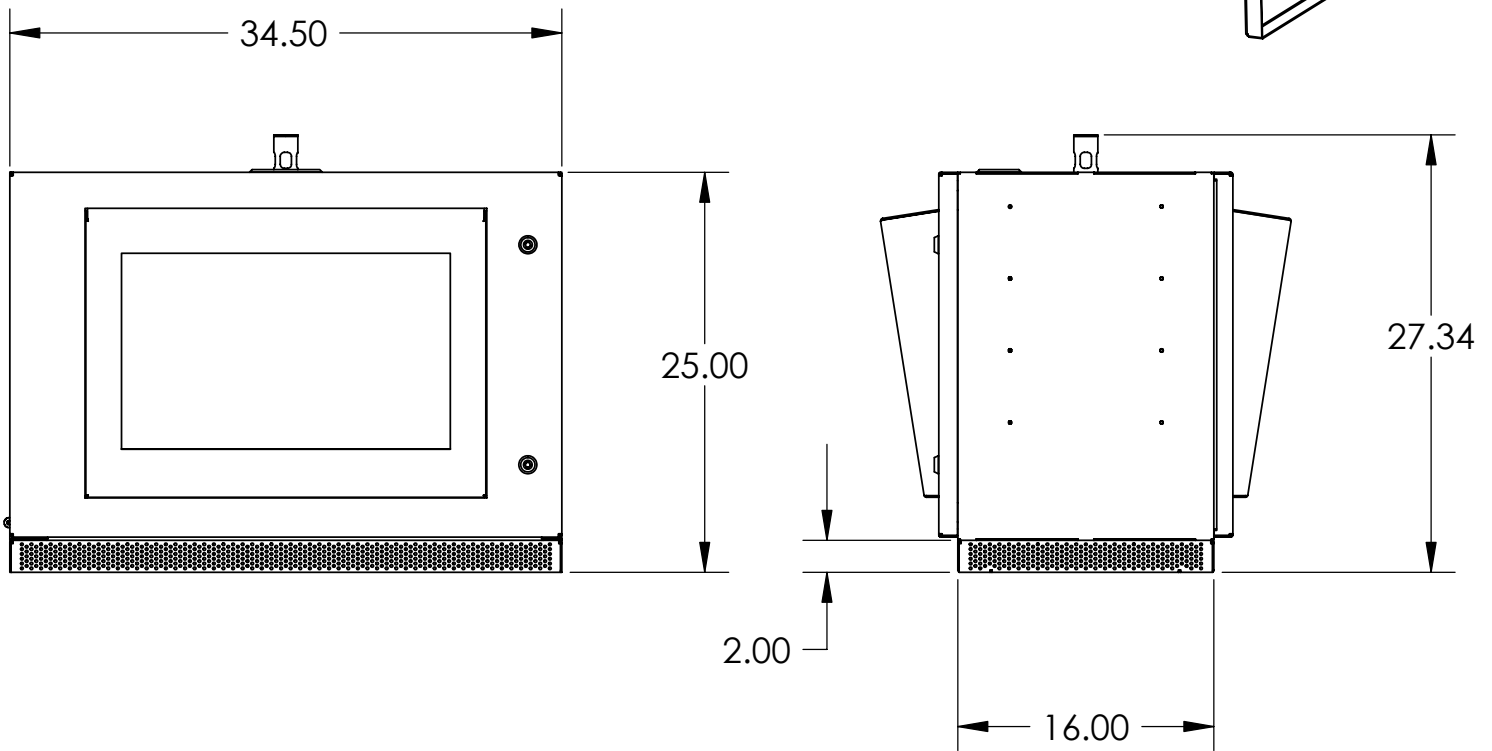
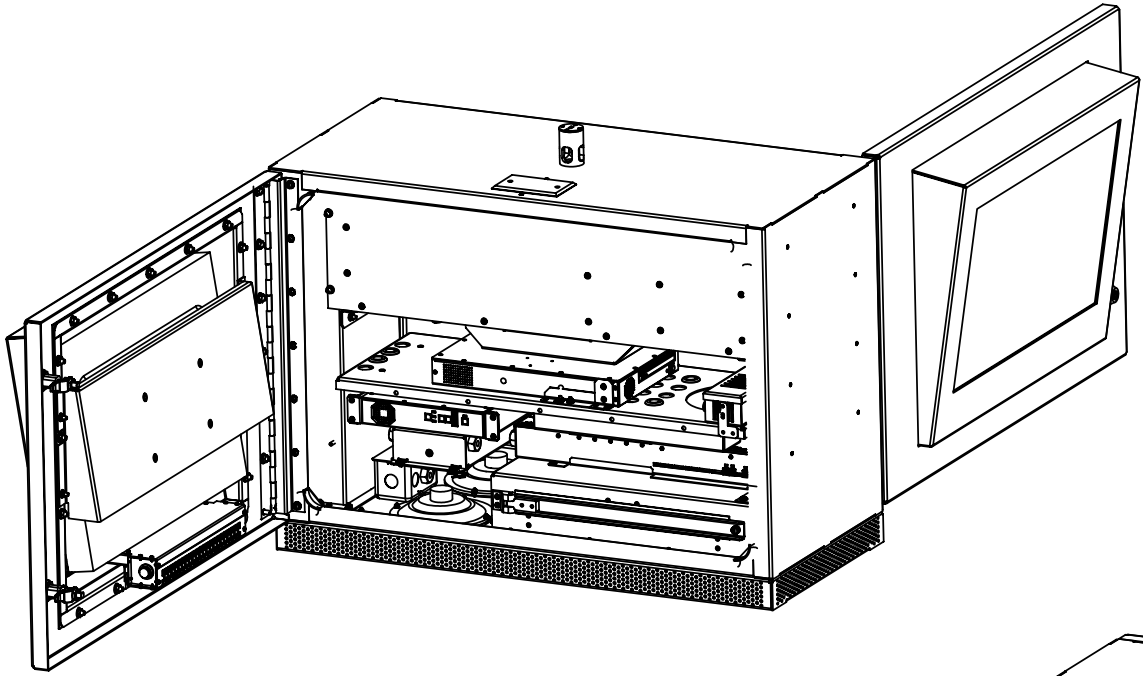
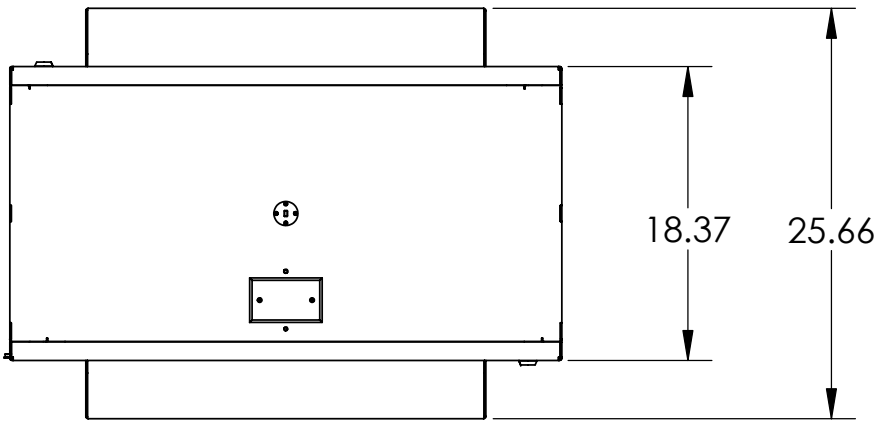


DRAWING REVISION BLOCK						
REV	ECO	DESCRIPTION	DRAWN	CHECKED	APPROVED	DATE
AX1		RELEASE FOR PROTOTYPE	SKW			12/19/2007



- 5. ALL THREADS TO BE FREE OF POWDER COAT AND, OR PAINT.
  - 4. DEBUR ALL SHARP EDGES.
  - 3. ☒ = ITEM CHANGED AT LAST REVISION.
  - 2. ALL DIMENSIONS ARE IN INCHES.
  - 1. DO NOT SCALE DRAWING.
- NOTES: UNLESS OTHERWISE SPECIFIED

THE INFORMATION CONTAINED IN THIS DRAWING IS THE PROPERTY OF DISPLAY DEVICES, INC. ANY REPRODUCTION IN PART OR WHOLE WITHOUT THE WRITTEN PERMISSION OF DISPLAY DEVICES, INC IS PROHIBITED		UNLESS OTHERWISE SPECIFIED DIMENSIONS ARE IN INCHES. <b>TOLERANCES:</b> .XX = ± .02 .XXX = ± .010 .XXXX = ± .0050 ANGLE = ± 0.5		<b>DISPLAY DEVICES</b> 5880 SHERIDAN BLVD ARVADA, CO 80003		
DRAWN		DATE		TITLE		
SKW		12/19/2007		PUMP TOPPER		
CHECKED		DATE		SIZE	DRAWING NO.	REV
				B	127-300	AX1
MATERIAL		-		SCALE	FILE NAME	SHEET 1 OF 3
FINISH		-		NONE	127-300.SLDDRW	