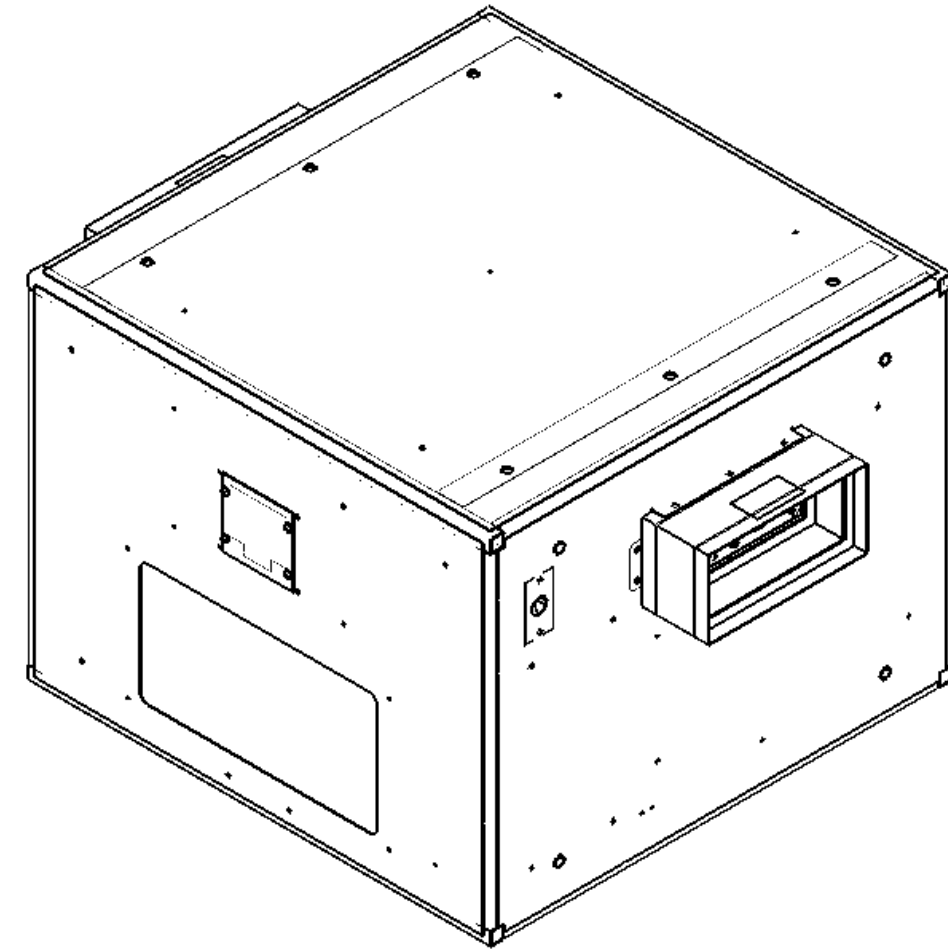
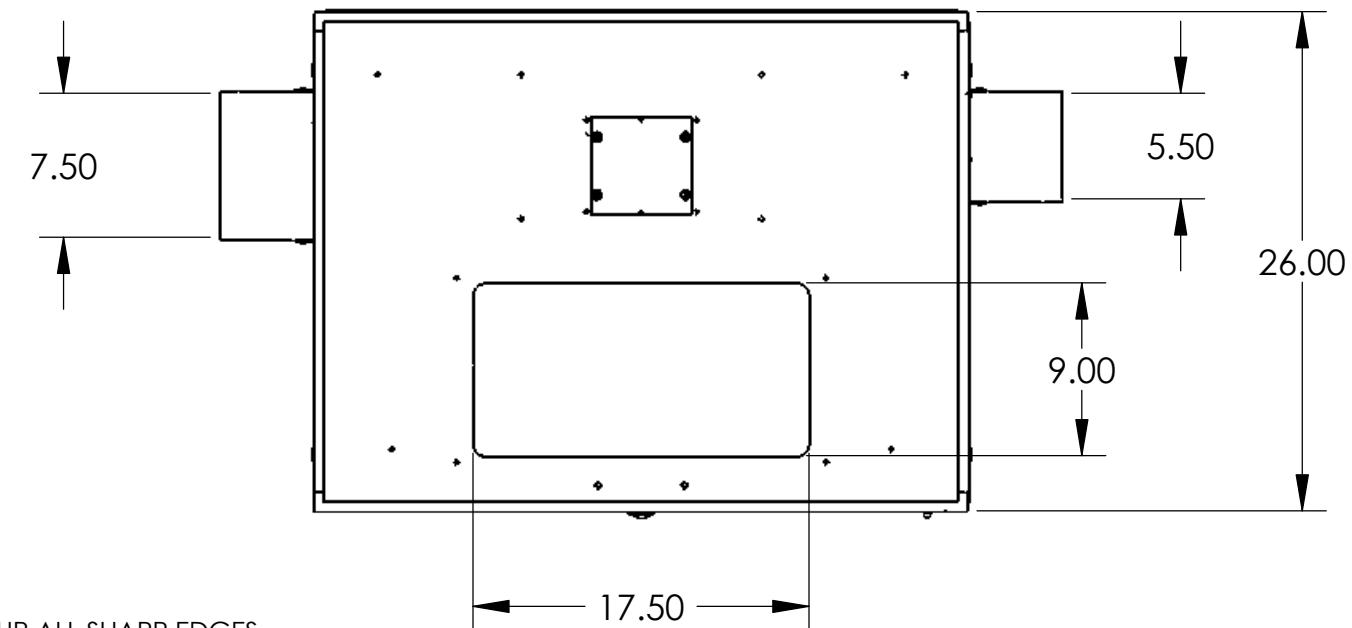
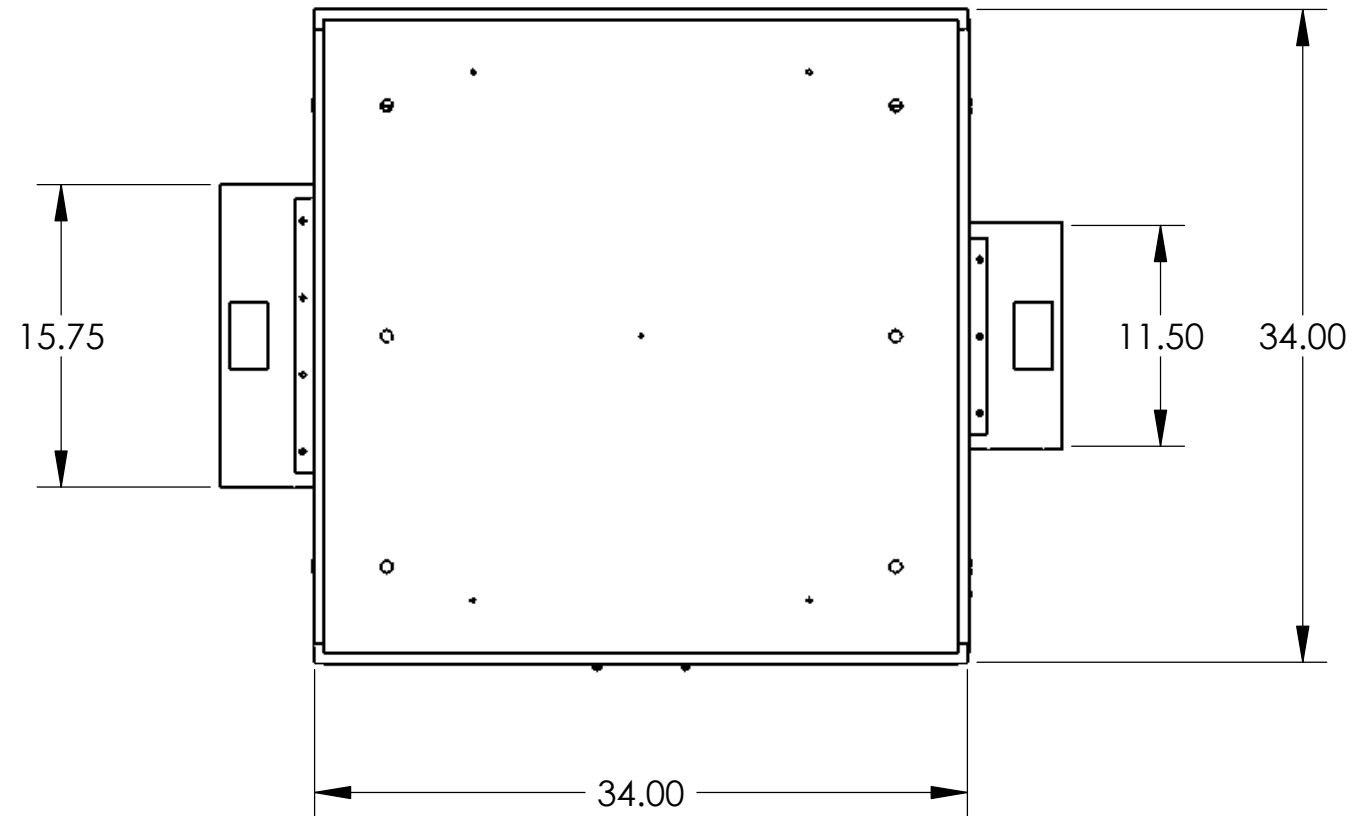


DRAWING REVISION BLOCK

REV	ECO	DESCRIPTION	DRAWN	CHECKED	APPROVED	DATE
A		RELEASED FOR PRODUCTION	JTW			11/18/2004
B	0298	ADDED ITEM S 45,46,47	JTW			3/29/2005



4. DEBUR ALL SHARP EDGES.
3. ☒ = ITEM CHANGED AT LAST REVISION.
2. ALL DIMENSIONS ARE IN INCHES.
1. DO NOT SCALE DRAWING.

NOTES: UNLESS OTHERWISE SPECIFIED

		<b>DISPLAY DEVICES, INC</b> 5880 SHERIDAN BLVD ARVADA, CO 80003	
THE INFORMATION CONTAINED IN THIS DRAWING IS THE PROPERTY OF DISPLAY DEVICES, INC. ANY REPRODUCTION IN PART OR WHOLE WITHOUT THE WRITTEN PERMISSION OF DISPLAY DEVICES, INC IS PROHIBITED.		UNLESS OTHERWISE SPECIFIED DIMENSIONS ARE IN INCHES.  TOLERANCES: .XX = ± .02 .XXX = ± .010 .XXXX = ± .0050 ANGLE = ± 0.5	
DRAWN: JTW CHECKED:		DATE: 11/10/2004 DATE:	
MATERIAL: SEE BOM FINISH: NONE		SIZE: <b>B</b>	DRAWING NO.: 120-440 REV: B
		SCALE: NONE	FILE NAME: 120-440.SLDDRW SHEET 1 OF 3