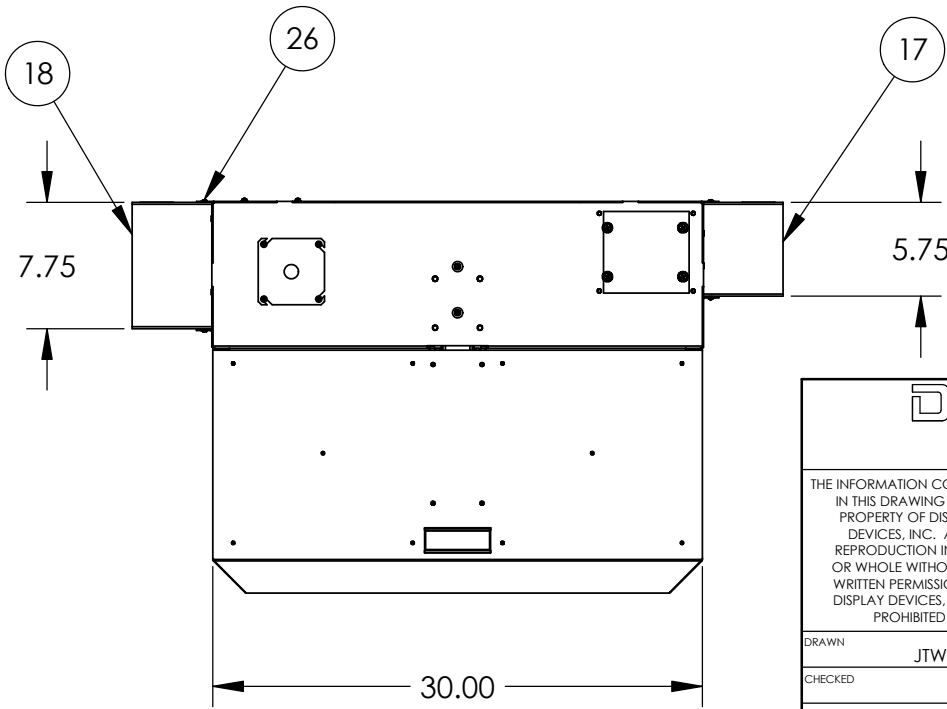
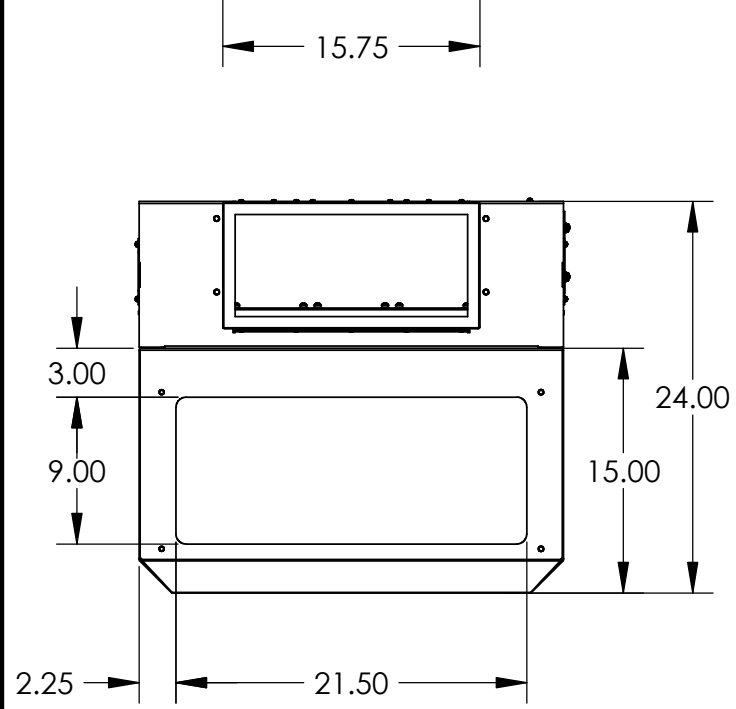
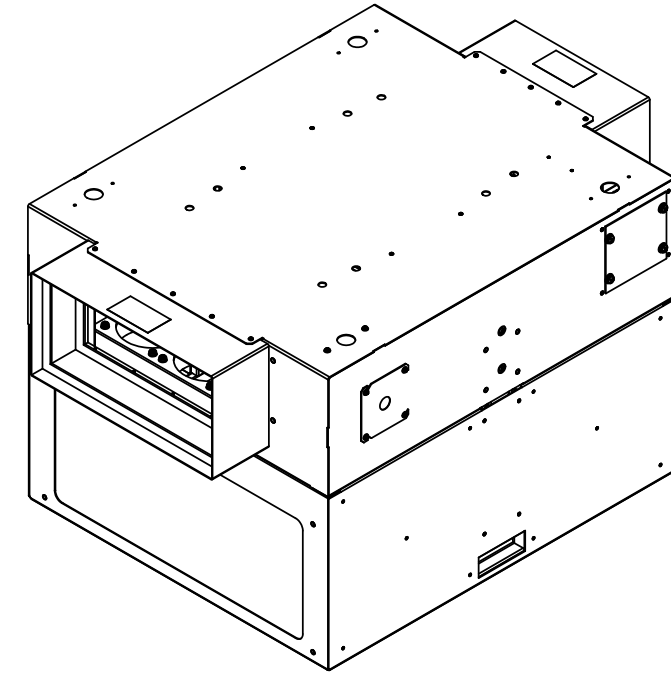


NOTE: AFFIX WARNING LABEL TO TOP OF DAMPERS.  
DAMPERS MUST BE MOUNTED WITH FUSIBLE LINK  
IN UP POSITION.



		<b>DISPLAY DEVICES, INC</b> 5880 SHERIDAN BLVD ARVADA, CO 80003				
		TITLE <b>SE-B3 ASSY</b> <b>110V - TEMP CNTRL</b>				
THE INFORMATION CONTAINED IN THIS DRAWING IS THE PROPERTY OF DISPLAY DEVICES, INC. ANY REPRODUCTION IN PART OR WHOLE WITHOUT THE WRITTEN PERMISSION OF DISPLAY DEVICES, INC IS PROHIBITED	UNLESS OTHERWISE SPECIFIED DIMENSIONS ARE IN INCHES.  TOLERANCES: .XX = ± .02 .XXX = ± .010 .XXXX = ± .0050 ANGLE = ± 0.5	DRAWN JTW	DATE 8/10/2004	SIZE <b>B</b>	DRAWING NO. 120-395	REV B
CHECKED	DATE	MATERIAL NONE	FINISH NONE	SCALE NONE	FILE NAME 120-395.SLDDRW	SHEET 2 OF 4