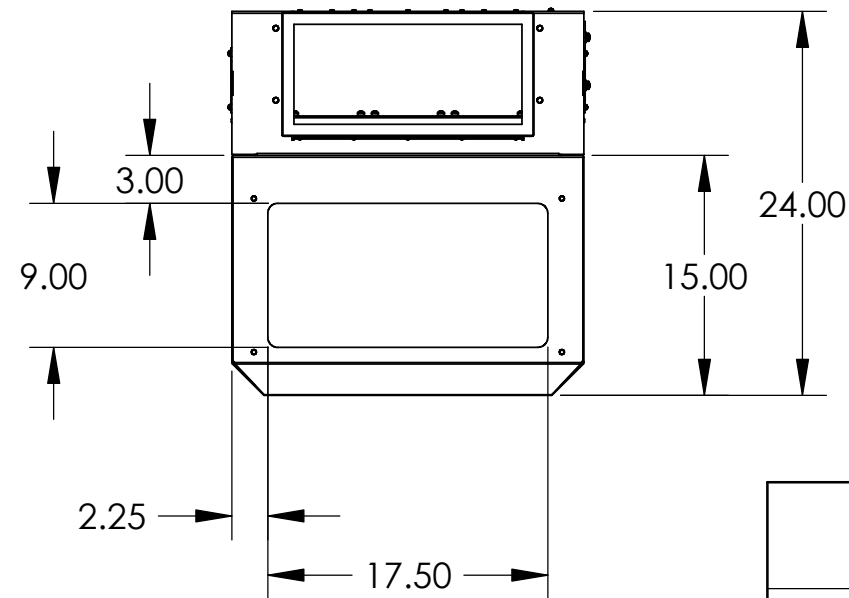
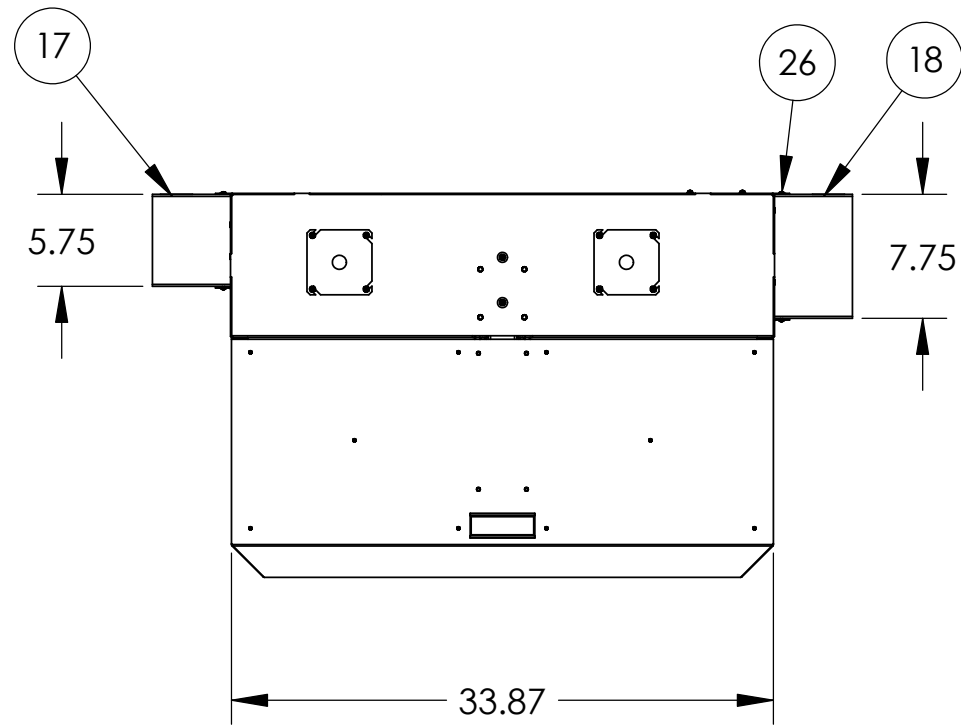
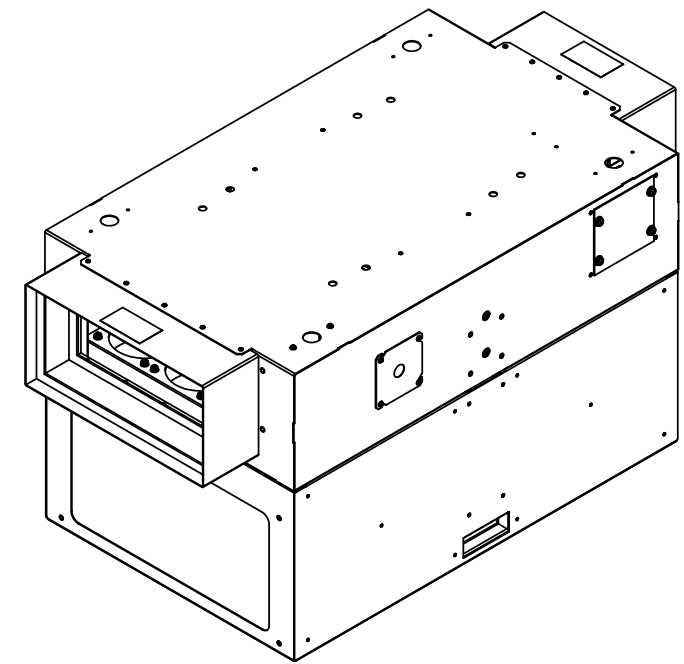


5 NOTE: AFFIX WARNING LABEL TO TOP OF DAMPERS. DAMPERS MUST BE MOUNTED WITH FUSIBLE LINK IN UP POSITION.



		<b>DISPLAY DEVICES, INC</b> 5880 SHERIDAN BLVD ARVADA, CO 80003				
		TITLE <b>2X3 SOUND ENCLOSURE ASSEM          - 220V - W/TEMP CONTROL</b>				
THE INFORMATION CONTAINED IN THIS DRAWING IS THE PROPERTY OF DISPLAY DEVICES, INC. ANY REPRODUCTION IN PART OR WHOLE WITHOUT THE WRITTEN PERMISSION OF DISPLAY DEVICES, INC IS PROHIBITED	UNLESS OTHERWISE SPECIFIED DIMENSIONS ARE IN INCHES.  TOLERANCES: .XX = ± .02 .XXX = ± .010 .XXXX = ± .0050 ANGLE = ± 0.5	DRAWN JTW	DATE 10/29/2003	SIZE <b>B</b>	DRAWING NO. 120-379	REV B
MATERIAL NONE	FINISH NONE	SCALE NONE	FILE NAME 120-379.SLDDRW	SHEET 2 OF 4		