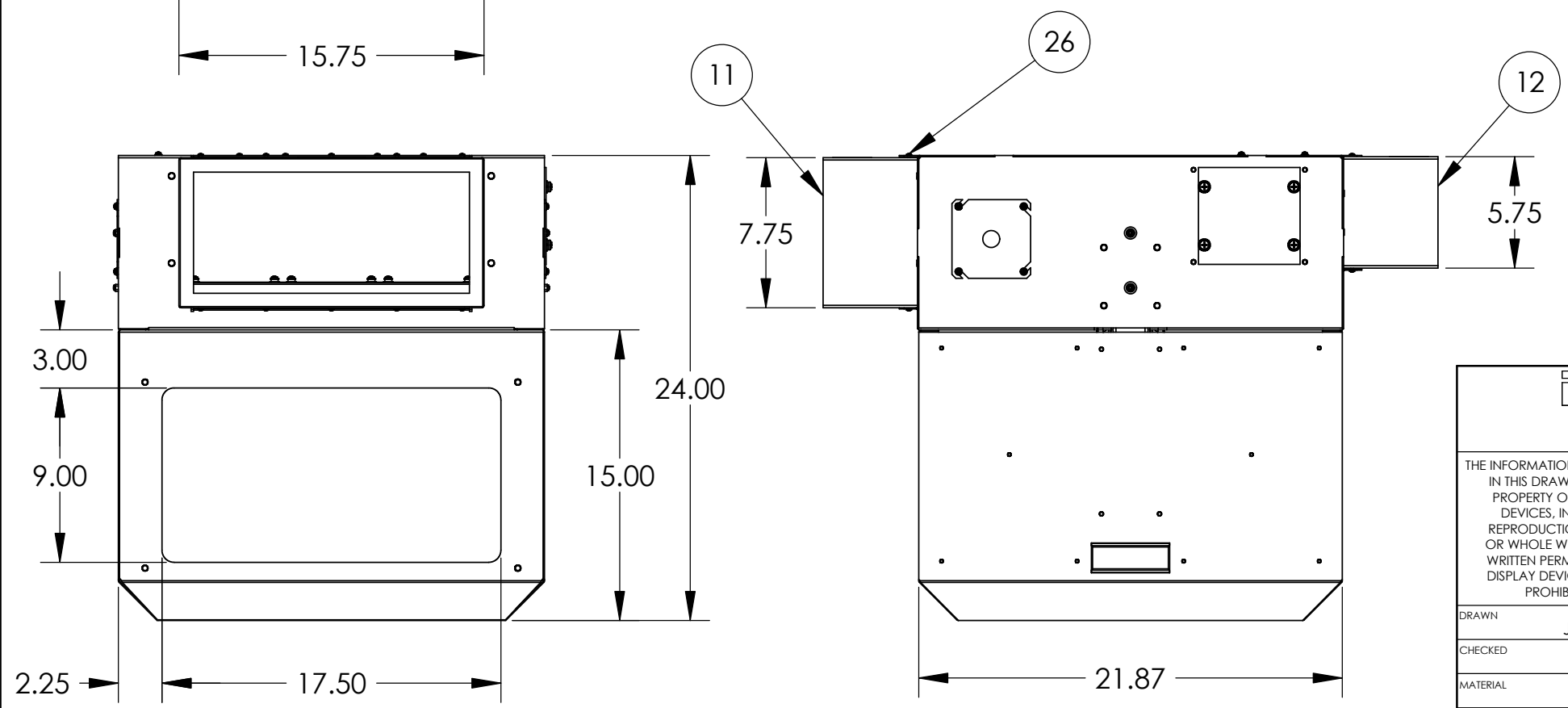
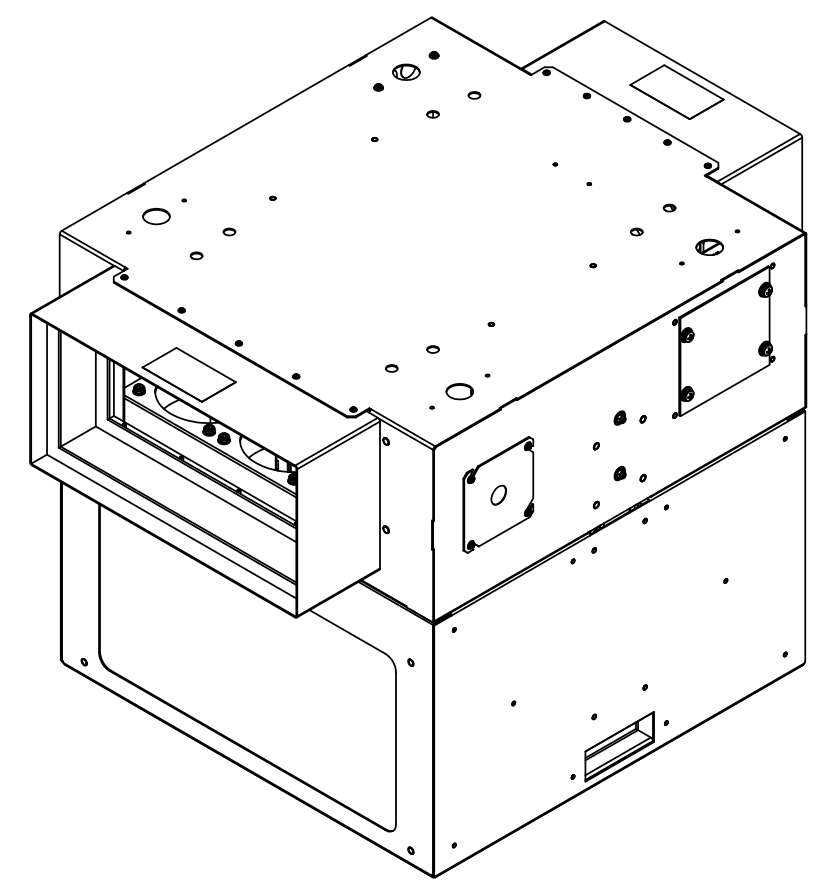


NOTE: AFFIX WARNING LABEL TO TOP OF DAMPERS.
DAMPERS MUST BE MOUNTED WITH FUSIBLE LINK
IN UP POSITION.



		DISPLAY DEVICES, INC 5880 SHERIDAN BLVD ARVADA, CO 80003	
		TITLE 2X2 SOUND ENCLOSURE ASSEM - 220V - W/TEMP CONTROL	
THE INFORMATION CONTAINED IN THIS DRAWING IS THE PROPERTY OF DISPLAY DEVICES, INC. ANY REPRODUCTION IN PART OR WHOLE WITHOUT THE WRITTEN PERMISSION OF DISPLAY DEVICES, INC IS PROHIBITED	UNLESS OTHERWISE SPECIFIED DIMENSIONS ARE IN INCHES. TOLERANCES: .XX = ± .02 .XXX = ± .010 .XXXX = ± .0050 ANGLE = ± 0.5	DRAWN JTW CHECKED DATE 6/10/2003	DATE 6/10/2003
MATERIAL NONE		FINISH NONE	SIZE B
DRAWING NO. 120-369		REV C	SCALE NONE
FILE NAME 120-369.SLDDRW		SHEET 2 OF 4	