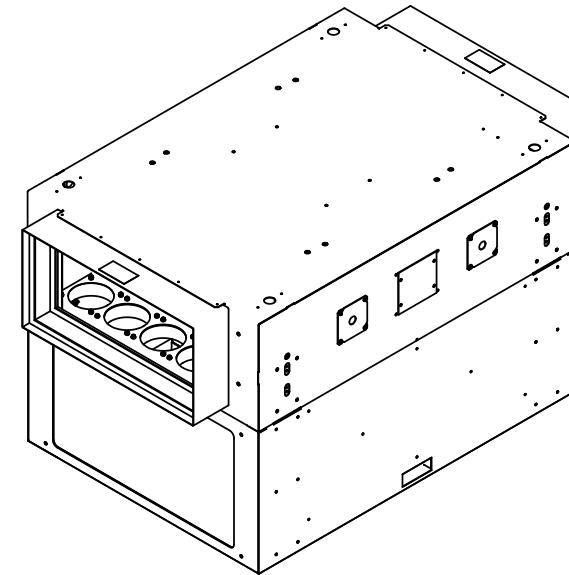


DRAWING REVISION BLOCK						
REV	ER	DESCRIPTION	DRAWN	CHECKED	APPROVED	DATE
B	ECO-0269	ADDED TITLE BLOCK NOTES	CAM			1/12/2005



5. ALL THREADS TO BE FREE OF POWDER COAT AND, OR PAINT.
4. DEBUR ALL SHARP EDGES.
3.  $\otimes$  = ITEM CHANGED AT LAST REVISION.
2. ALL DIMENSIONS ARE IN INCHES.
1. DO NOT SCALE DRAWING.

NOTES: UNLESS OTHERWISE SPECIFIED

		<b>DISPLAY DEVICES, INC</b> 5880 SHERIDAN BLVD ARVADA, CO 80003				
		TITLE <b>SE-XLB ASSY</b> <b>110V - TEMP CNTRL</b>				
THE INFORMATION CONTAINED IN THIS DRAWING IS THE PROPERTY OF DISPLAY DEVICES, INC. ANY REPRODUCTION IN PART OR WHOLE WITHOUT THE WRITTEN PERMISSION OF DISPLAY DEVICES, INC IS PROHIBITED	UNLESS OTHERWISE SPECIFIED DIMENSIONS ARE IN INCHES. TOLERANCES: .XX = $\pm .02$ .XXX = $\pm .010$ .XXXX = $\pm .0050$ ANGLE = $\pm 0.5$	DRAWN JTW	DATE 9/22/2002	SIZE <b>B</b>	DRAWING NO. 120-315	REV B
MATERIAL SEE BOM		FINISH NONE		SCALE NONE	FILE NAME 120-315.SLDDRW	SHEET 1 OF 3