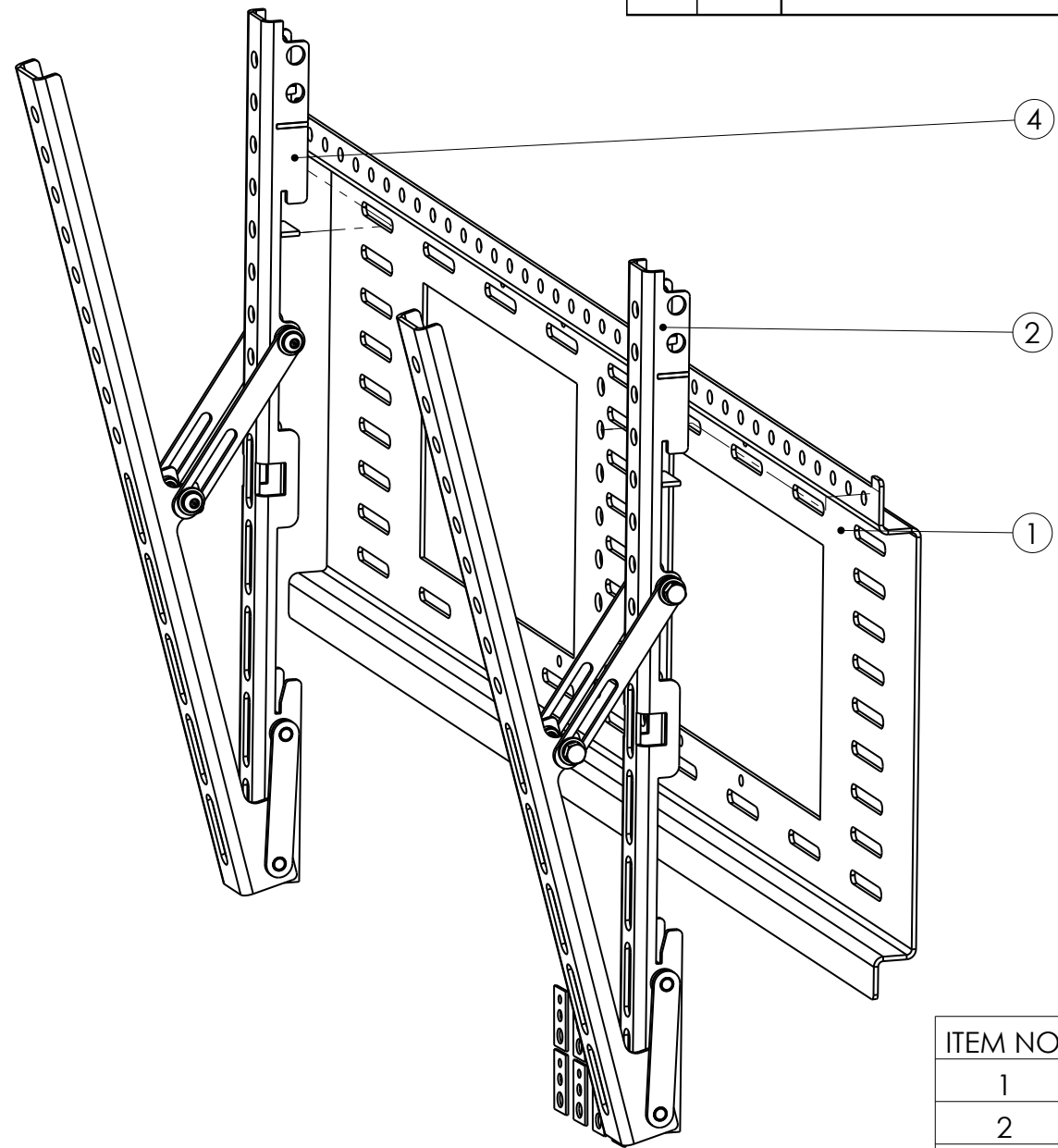
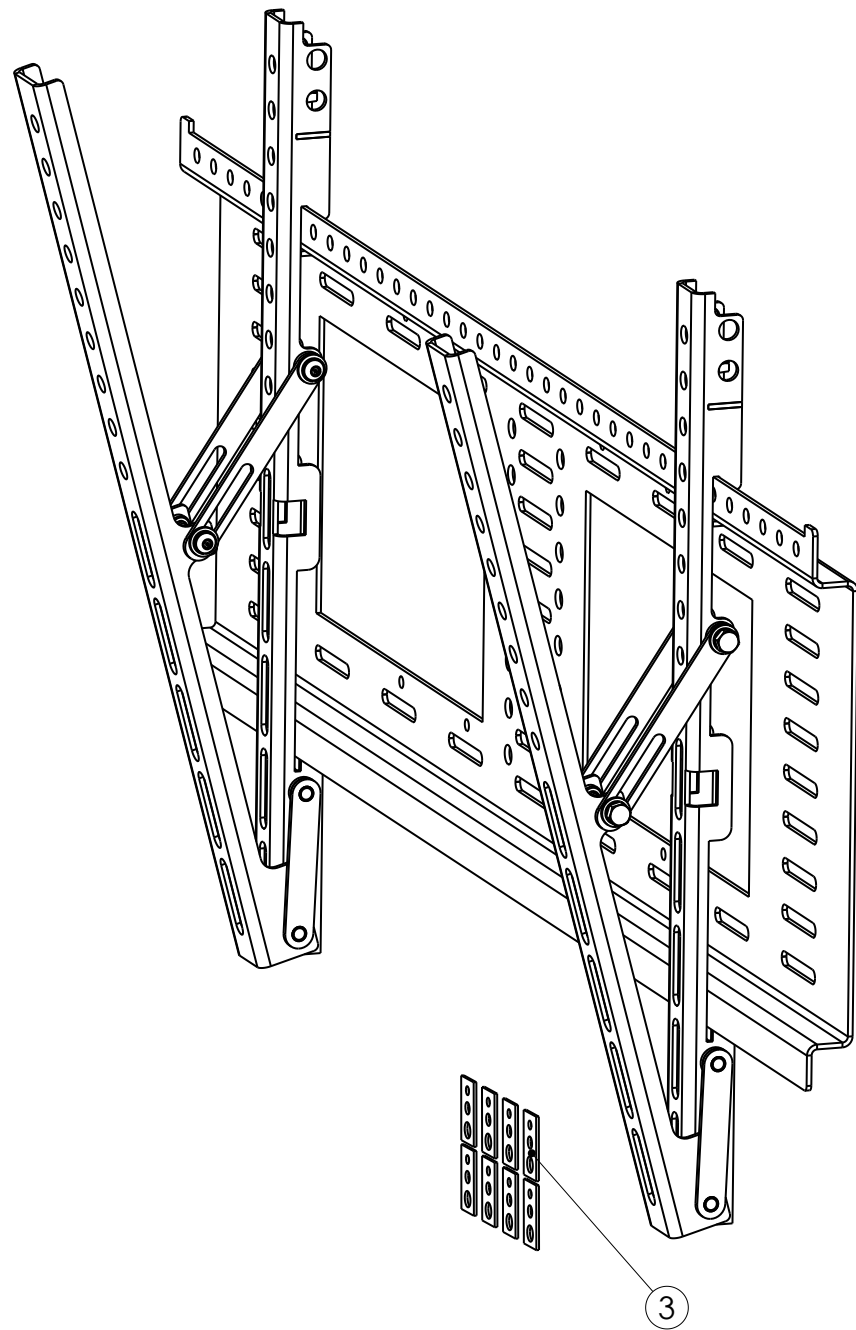


DRAWING REVISION BLOCK						
REV	ECO	DESCRIPTION	DRAWN	CHECKED	APPROVED	DATE
AX1	-	RELEASE FOR PROTOTYPE	CRA			2/15/2006
AX2	-	UPDATED DRAWING AND HARDWARE	CRA			4/20/2006



ITEM NO	QTY	PART NO	DESCRIPTION
1	1	115-536	UNIVERSAL MOUNT
2	1	115-537	TILT MOUNTING BRACKET ASSY.
3	8	115-546	UNIVERSAL WASHER
4	1	115-547	LEFT SIDE TILT MT. BKT. ASSY.

NOTE:

- 5. ALL THREADS TO BE FREE OF POWDER COAT AND, OR PAINT.
- 4. DEBUR ALL SHARP EDGES.
- 3. \otimes = ITEM CHANGED AT LAST REVISION.
- 2. ALL DIMENSIONS ARE IN INCHES.
- 1. DO NOT SCALE DRAWING.

ITEM # 3 TO BE INCLUDED IN THE HARDWARE PACKAGE

NOTES: UNLESS OTHERWISE SPECIFIED

THE INFORMATION CONTAINED IN THIS DRAWING IS THE PROPERTY OF DISPLAY DEVICES, INC. ANY REPRODUCTION IN PART OR WHOLE WITHOUT THE WRITTEN PERMISSION OF DISPLAY DEVICES, INC IS PROHIBITED		UNLESS OTHERWISE SPECIFIED DIMENSIONS ARE IN INCHES. TOLERANCES: .XX = ± .02 .XXX = ± .010 .XXXX = ± .0050 ANGLE = ± 0.5		DISPLAY DEVICES 5880 SHERIDAN BLVD ARVADA, CO 80003	
DRAWN		DATE		TITLE	
CRA		2/3/2006		UNIV. MT. & TILT MTING. BK. ASSY.	
CHECKED		DATE		SIZE	DRAWING NO.
				B	115-535
MATERIAL		NONE		SCALE	FILE NAME
FINISH		NONE		NONE	115-535.SLDDRW
				REV	SHEET 1 OF 1
				AX2	